



# DELUXE STITCHER

COMPANY INC.

*solving your wire stitching needs for 125 years...*

Head Serial Number : \_\_\_\_\_

Date Purchased : \_\_\_\_\_

Where Installed: \_\_\_\_\_

(make/model of machine)

## G8 Stitcher Head

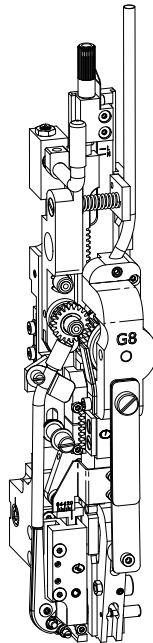
### OPERATION AND MAINTENANCE MANUAL

Wire Sizes: 23-28 Ga. Round, 20x24 and 21x25 Flat

Crown Size: 1/2" (13.5 mm)

Capacity: 2 sheets to 5/16" (8 mm) Standard

2 sheets to 5/32" (4 mm) Loop



**Before using this Stitcher Head, all operators must study this manual and follow the safety warnings and instructions. Keep these instructions with the G8 Stitcher Head for future reference. If you have any questions, contact your local DeLuxe Stitcher Company Graphic Arts Representative or Distributor.**

# **WARNING!**

## **G8 Stitcher Head**

Machine operators and others in the work area should always wear safety glasses to prevent serious eye injury from fasteners and flying debris when loading, operating, or unloading this machine.

Do not operate this stitcher head without all stitcher machine guards in place. Do not modify the guards in any way. Always disconnect the power supply before removing any guards for servicing.

Never operate the machine with wire feeding through the head unless there is stock above the clinchers, otherwise serious damage may result.

Always turn power off when making adjustments. Always disconnect the power cord before any disassembly work.



## Table of Contents

Safety Warning .....	2
Introduction .....	4
Part Number Definition.....	4
Specifications .....	6
Installation .....	8
Pre-Inspection.....	8
Inspection .....	8
Assembly Parts .....	9
Mounting .....	10
Operation .....	12
Wire Threading .....	12-13
Wire Straightening .....	14-15
Adjustments and Settings .....	16-21
Maintenance .....	22
Lubrication .....	22-23
Cleaning .....	24
How to Order Spare Parts .....	25
Troubleshooting.....	26
Formed Staple Chart .....	26-27
Appendices .....	28
Exploded Drawings with Part Number/Description/ Cross Reference/Qty. ....	28-46
Optional Equipment.....	47-48
Parts Index.....	49-51
Registration Card.....	53-54
Common Replacement Parts.....	54
Warranty.....	55

# Introduction

Typical Style Uses:

- G8BHD** ..... No. 2 and M2 Wire Stitchers
- G8MHD** ..... No. 17 and M17 Wire Stitchers
- G8HD** ..... Automatic Saddle-Stitchers,  
..... Gang-Stitchers, Multibinders and Others

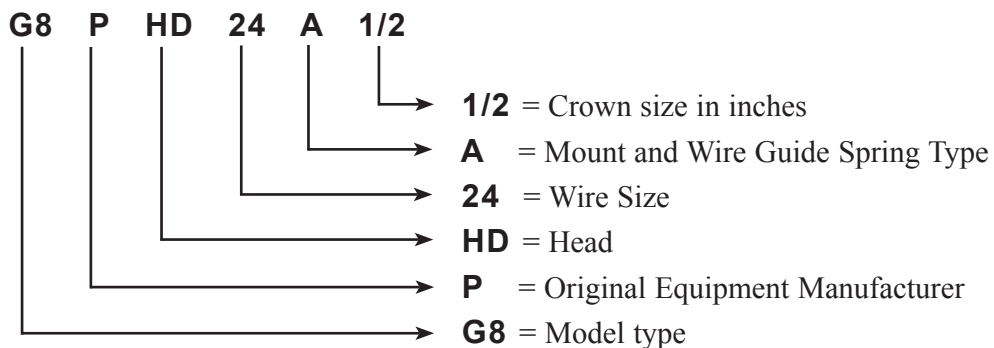
Examples of Replacement Heads for OEM Users\*:

AM Graphics / Harris / Heidelberg / Sheridan 455, 562, 690 .....	G8HD24A
AM Graphics / Harris / Heidelberg / Sheridan 705 .....	G8HD24A
C.P. Bourg .....	G8HD24D
Christensen .....	G8HD24A
Horizon SP, SPF .....	G8HD24D
Macey Multibinder .....	G8HD24B
McCain .....	G8HD24A
Rosback .....	G8HD24B
Boewe 4601 .....	G8BOHD241/2
McCain / OmegaBinder.....	G8HD23A
Harris 855 .....	G8HD24-HARRIS
McCain / Sheridan / Harris / Bielomatik, ECH Will \ et.al.....	G8HDC24A
Heidelberg ST100, ST270, ST300, ST350.....	G8HEHD241/2
JMZ&A (Parker) .....	G8PKHD241/2
Watkiss .....	G8WAHD241/2

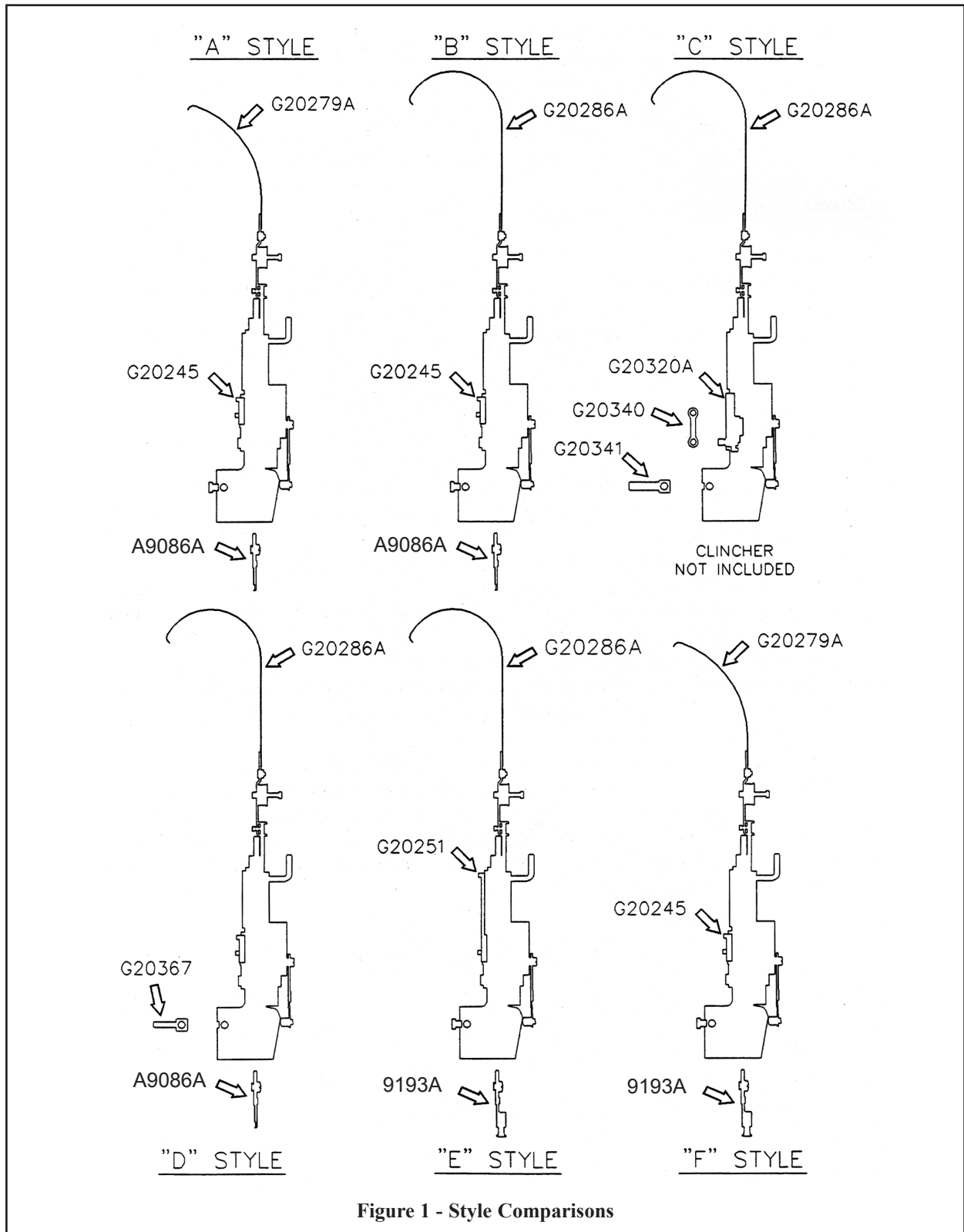
\* These are just a few examples of the replacement heads available for these OEM's.

# Part Number Definition

The part number for each Stitcher Head can be used to define the stitcher head itself, in most cases. The Head's model type, mounting style, nominal wire size and crown size can all be determined from the part number.



## Some Head Style Examples



## Specifications

### Weight

Shipping Weight ..... 13 lbs (5.9 kg)

Box Size ..... 22 x 11 x 4 (56 x 28 x 10 cm)

### Physical Dimensions

Height ..... 13-9/16" (345 mm)

Width ..... 2-3/4" (70 mm)

**Stitching Capacity** ..... Two Sheets to 5/16" (8 mm)

..... Two Sheets to 13/64" (5 mm) Loop

(Stitching capacities are highly dependent on wire and paper type, tensile strength and machine capacity.)

**Wire Types** ..... **24Ga (standard)**

..... 23Ga to 28Ga (round)

..... 20x24, 20x25, 21x25 (flat)

..... 25Ga only for Loop

**Crown Sizes** ..... 1/2" (13mm)

..... 13/64" (5mm) Loop

### Minimum Head Centers

..... 2-3/64" (52mm) at two sheets to

..... 1/16" (1.5mm) material thickness

..... loop = 56mm at two sheets to 2mm

**Stitches Per Hour** ..... 20,000 (12,000 with Loop Head)

**Replacement for:** ..... Interlake/Acme/Champion/

..... Magnatek/M2000 heads,

..... 26/26D Model Heads, or Hohner

..... 52/8, 55/7, 43/6 and 48/5 Heads

..... and others

Make sure all guards are in place before  
operating the stitcher head

 **WARNING**

# Dimensions

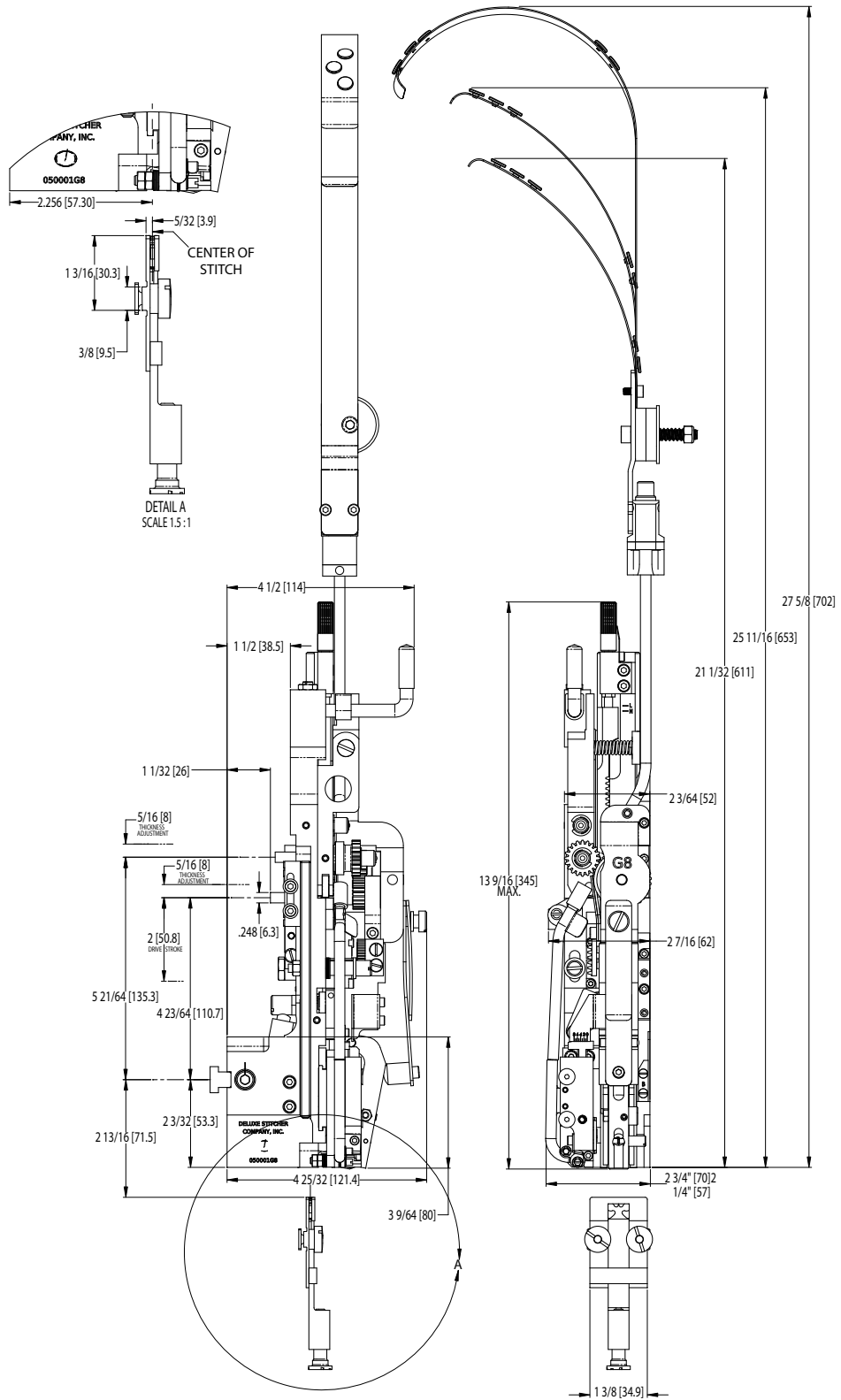


Figure 1

## Installation

### Pre-Inspection

Carefully inspect the condition of the shipping container before unpacking your G8 Stitcher Head. If the container is broken or damaged and there is evidence that the stitcher head may be damaged, immediately notify the carrier who delivered the head and the DeLuxe Stitcher Graphic Arts Representative from whom the G8 Stitcher Head was purchased.

### Inspection

As you carefully unpack the head, check to make sure all components were delivered and are in good working order. Refer to **Figure 2** in this manual for reference to the following pieces:

- G8 Manual
- 2.0mm Hex Key Wrench (G20374)
- 2.5mm Hex Key Wrench (G20361)
- 3.0mm Hex Key Wrench (G20360)
- 5.0mm Hex Key Wrench (G20362)
- 7.0mm Open End Wrench (G20364)
- Complete Wire Guide Spring Plate Assembly (G20278AA)
- Adjustment Knob Assembly (G20228A)
- Short (G20279A) or Long (G20286A) Wire Guide Spring Assembly
- Clincher Plate Assembly - Thick (9086A)
- Round (CA9083A) or Flat (9083C) Thick Clincher Points
- Clamp Block (9002) and Clamp Block Eccentric (G20124) or Rear Clamp Pin (G20366) and Rear Mounting Bolt (G20367 or G20341)
- Either Clincher Plate Binder Nut (2091), Bolt (9088) and Thick Clincher Slide (CA9093A) or Clincher Plate Binder Nut (2091), Bolt (9088), Adjustable Clincher Slide (9084B), Clincher Slide Adjusting Screw (9087) and Clincher Slide Adjusting Lock Screw (UA4808.7).
- Stitch Samples

**\* Note: the accessories included with the G8 will vary with the style of Head purchased**



# Assembly Parts

Please take a few moments to fill out the registration card located on page 44 prior to beginning installation.

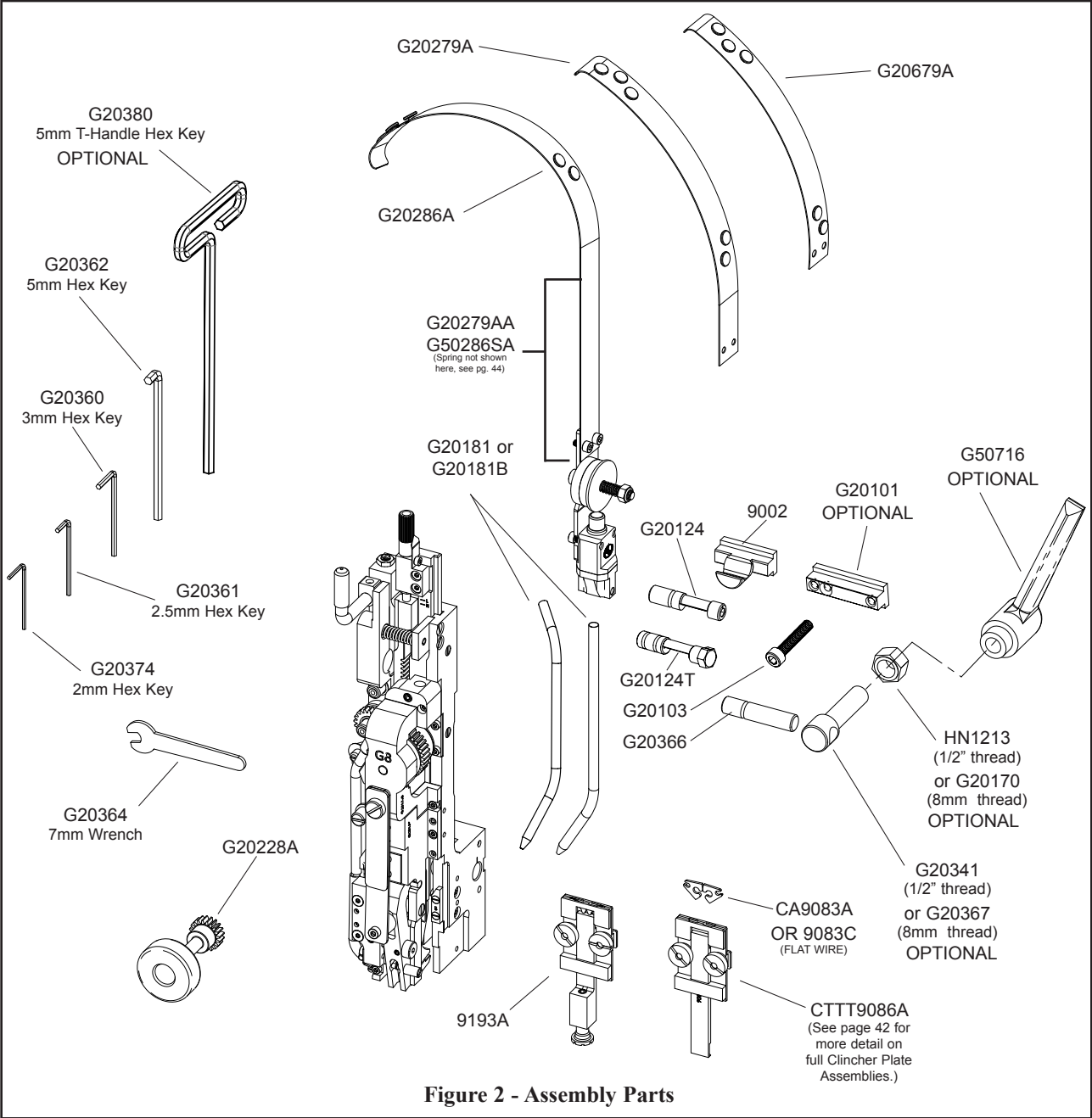
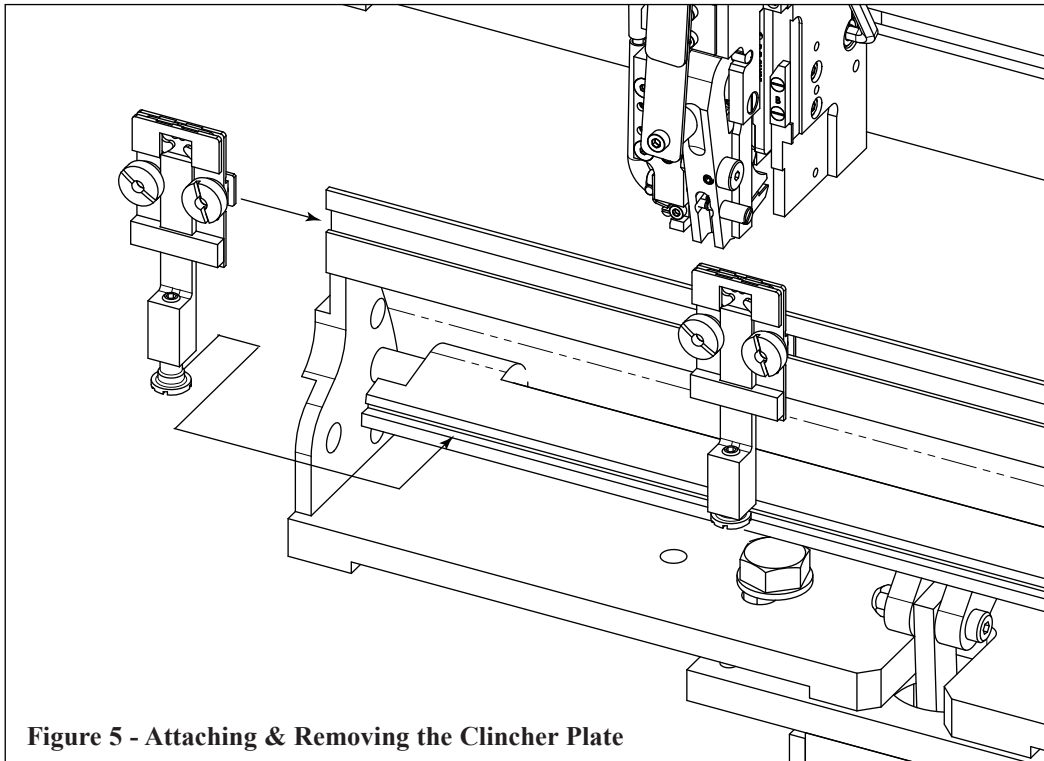
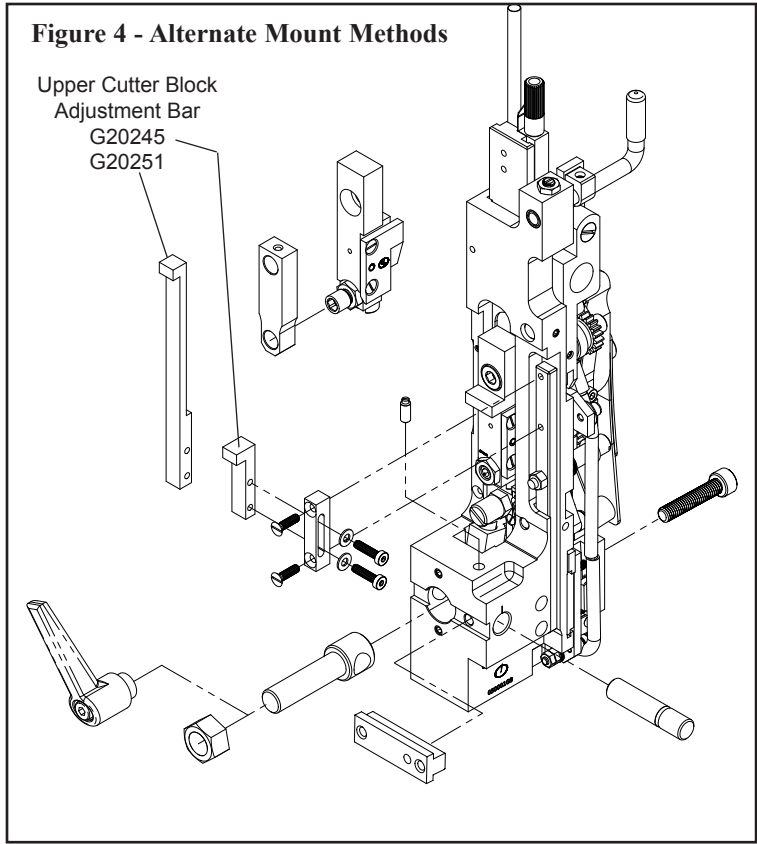
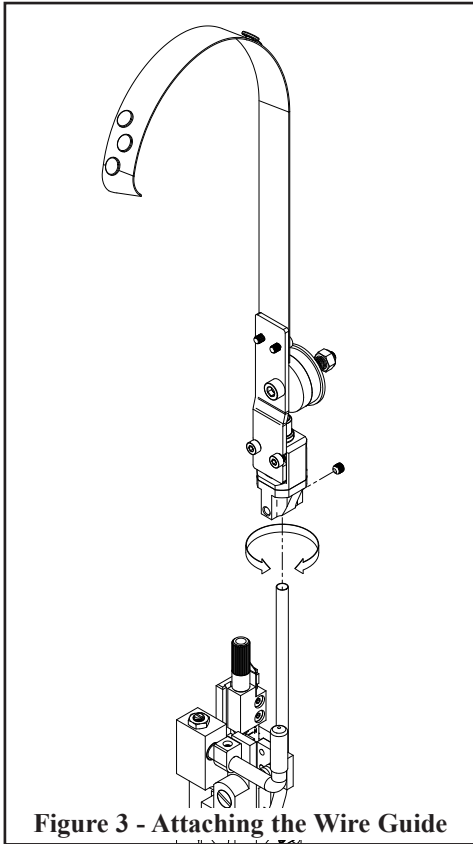


Figure 2 - Assembly Parts

# Mounting



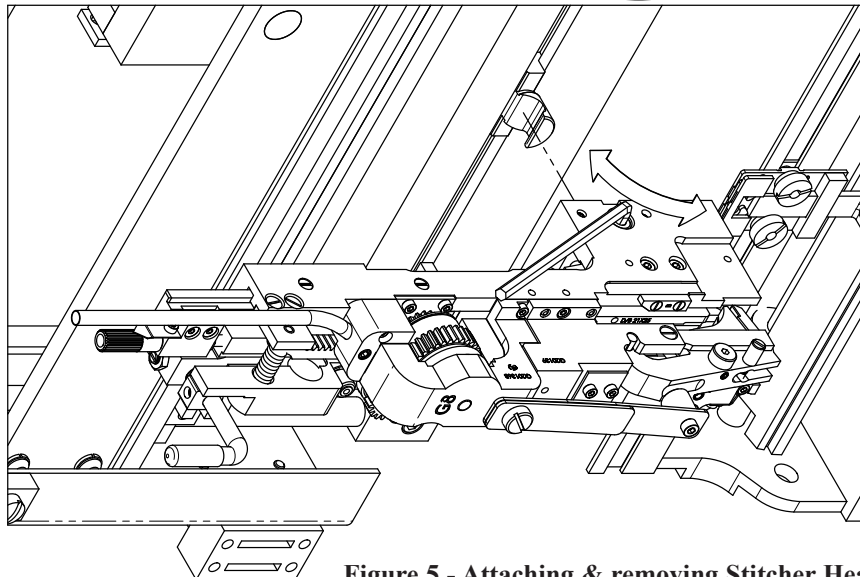
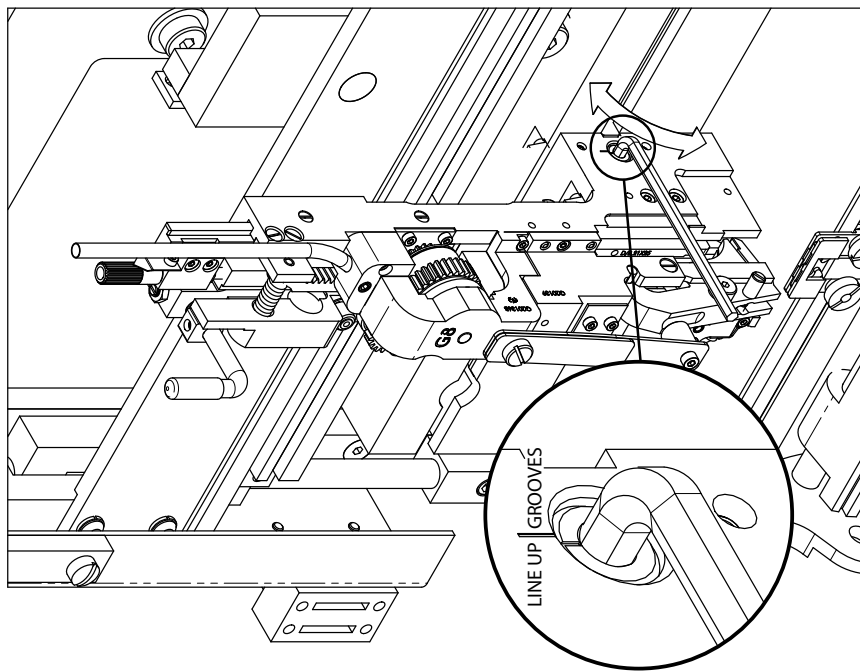
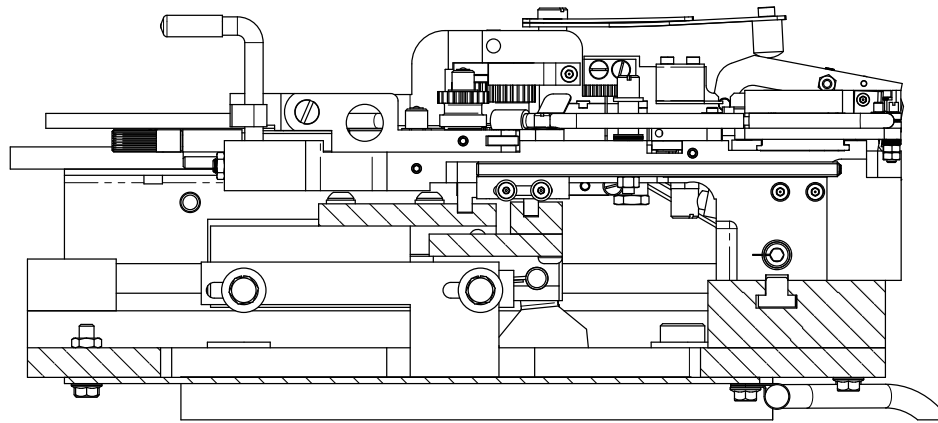
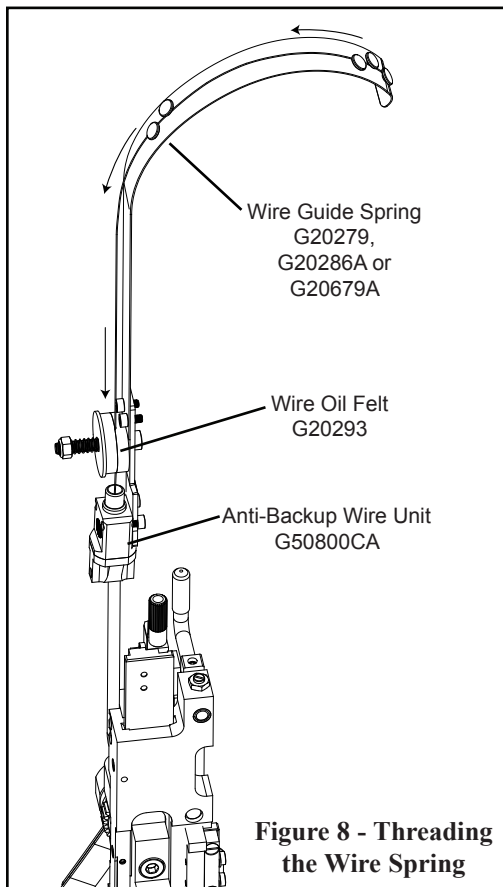
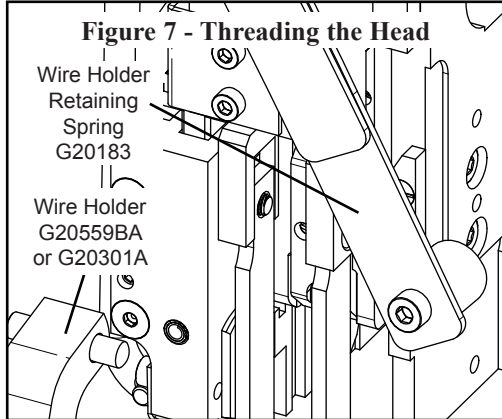


Figure 5 - Attaching & removing Stitcher Heads

## Operation

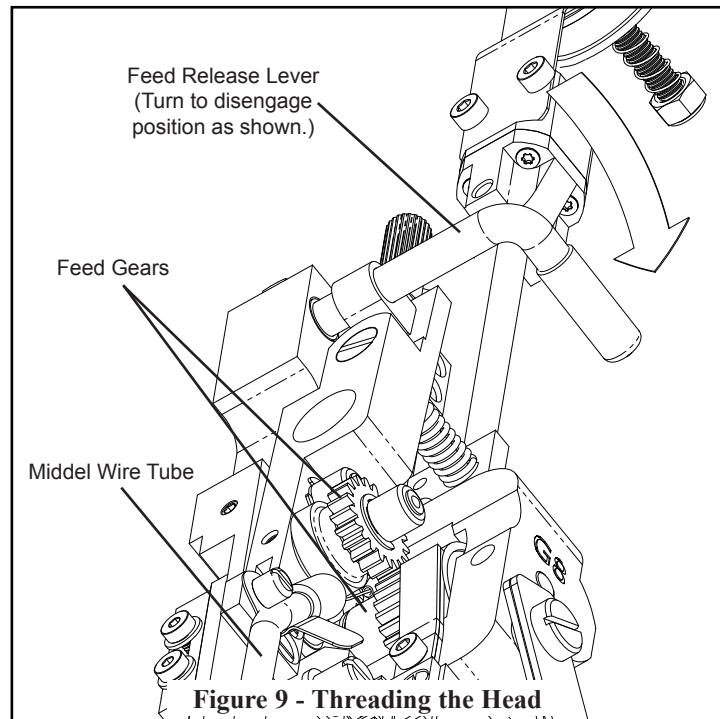
### Wire Threading (Figures 7 - 13)



1. Slide the Wire Holder Retaining Spring over to the side and remove the Wire Holder (Figure 7) from the Stitcher Head.

2. Pass the wire from the Spool over the Wire Guide Spring between the Wire Guides, between the Washer and Wire Oiler Felt and into the Anti-Backup Wire Unit (Figure 8).

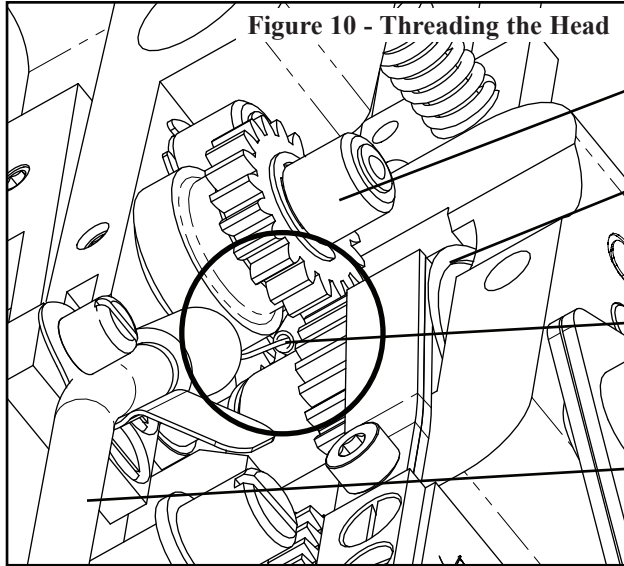
3. Turn the Feed Release Handle clockwise (Figure 9) to disengage the Feed Gears and guide the wire into the



Middle Wire Tube (Figure 10). (Or with the gears engaged, place the Adjustment Handle over the Small Gear pin and rotate clockwise to feed the wire through. See Figure 11.) Re-engage the gears.

4. Turn the stitcher machine on and cycle it until the wire emerges from the Lower Wire Tube in the Cutter Block. When accomplished, proceed to wire straightening

**Note: Never operate the Stitcher Head with the Wire Holder in place unless there is wire stock above the Clincher Points.**



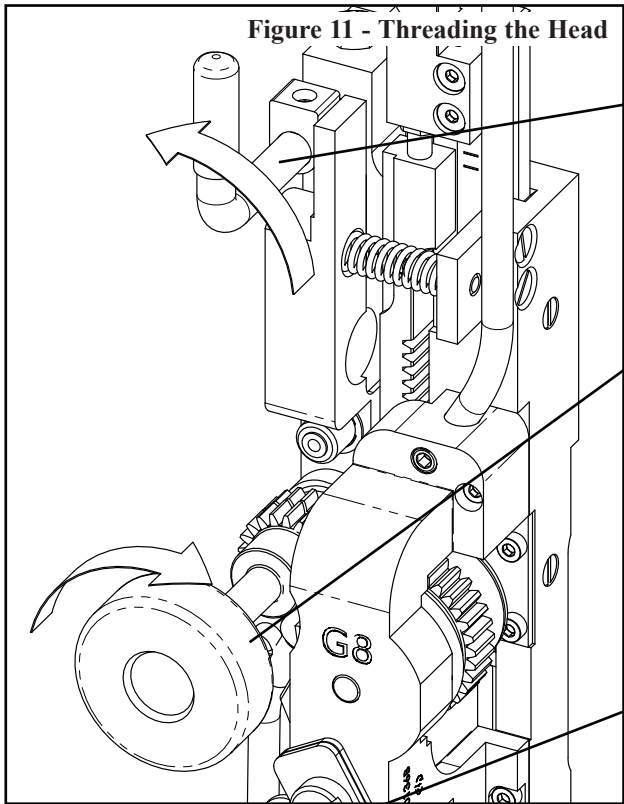
**Figure 10 - Threading the Head**

Small Feed Gear  
G20112

Large Feed Gear  
G20110A

Wire

Middle Wire Tube  
G20144A



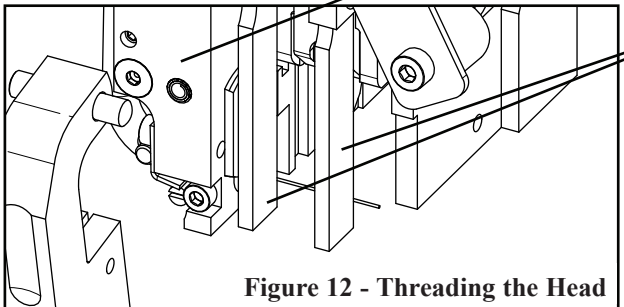
**Figure 11 - Threading the Head**

Feed Release Lever  
G20119  
(Turn to engage  
position as shown)

Adjustment Handle  
G20228A

Lower Wire Tube  
G20199A

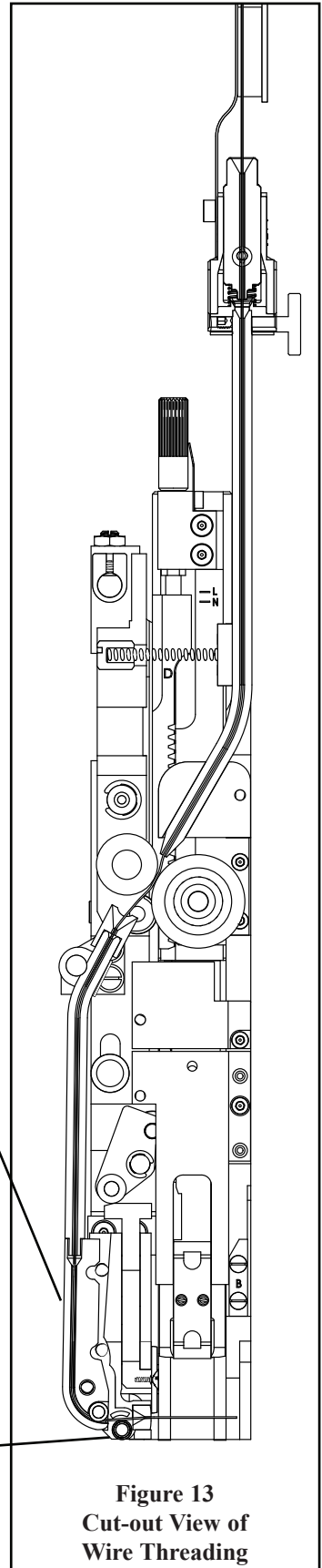
Cutter Block  
G20197A



**Figure 12 - Threading the Head**

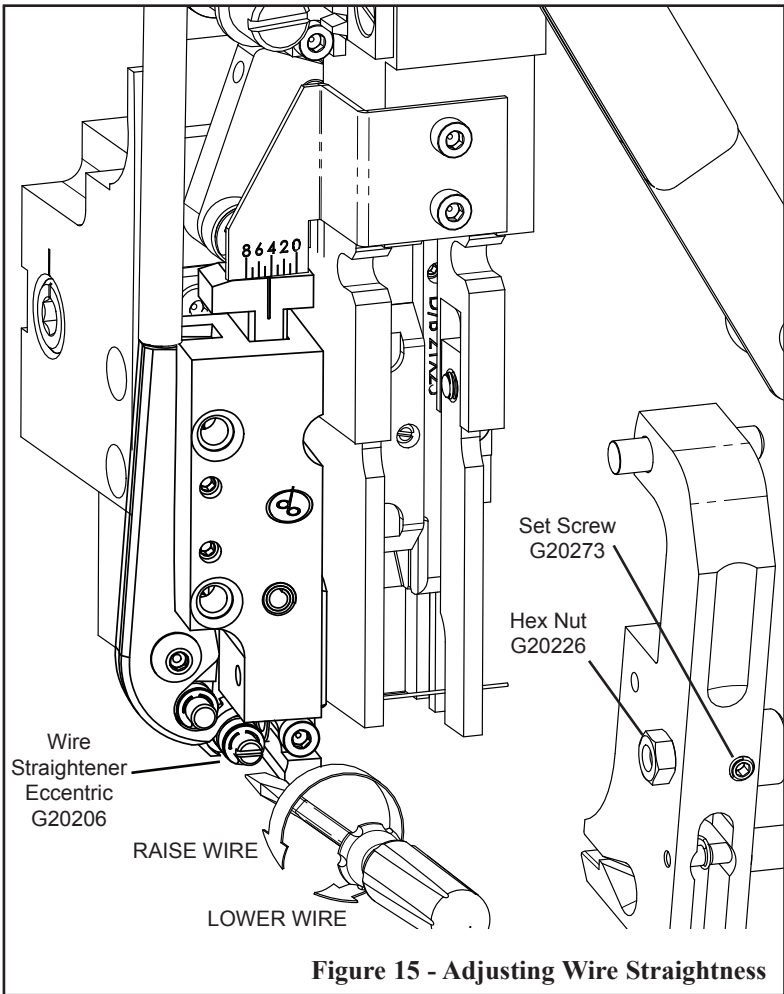
Wire Guides  
G20541

Wire Straightener  
Eccentric  
G20206



**Figure 13  
Cut-out View of  
Wire Threading**

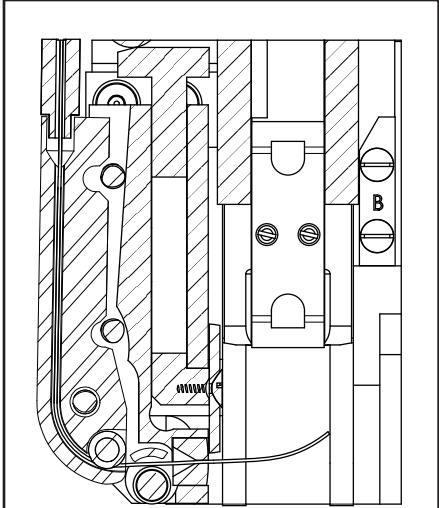
**Adjusting Wire Straightness (Fig. 14-17)**



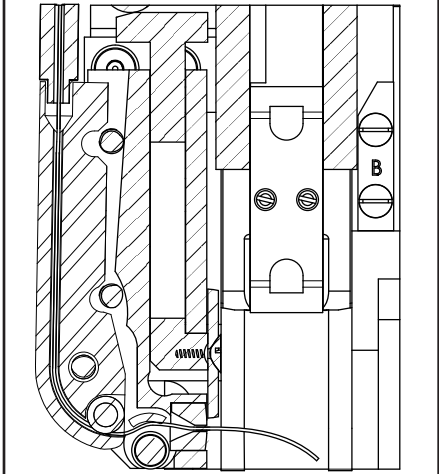
**Figure 15 - Adjusting Wire Straightness**

**Horizontal Adjustment (Figures 15-16)**

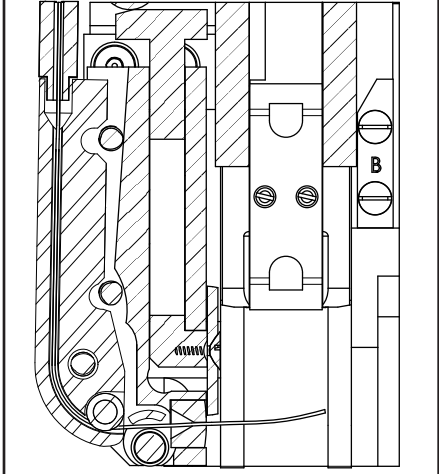
Observe the direction the wire is moving as it emerges. Use a slotted head screwdriver on the Wire Straightener Eccentric in the Cutter Block to adjust the wire. If the wire is curved upwards, turn the Wire Straightener Eccentric clockwise. If the wire is feeding downward, turn the Eccentric counter-clockwise.



**Figure 16a - Wire Curls Up**



**Figure 16b - Wire Curls Down**



**Figure 16c - Straight Wire**

### Front-to-Back Adjustment

If the Wire Guide Bars are not properly positioned, the wire will rub against them as it exits the Cutter Block. Look at the G8 Head from the side past both the Right and Left Wire Guide Bars (Figure 17). Make sure there is a clear view of the opening in the Fixed Wire Cutter from the side of the G8 Head. If there is not, loosen the Flat Head Machine Screws securing the Wire Guide Bars to the Pivot Block and move them out of the path of the wire. Tighten the Screws after making sure the Wire Guide Bars are even with each other. Replace the Wire Holder and re-engage the Wire Holder Retaining Spring.

**NOTE: Depending on its size, adjust wire straightness every 3-10 lbs. of wire used approximately as follows:**

- 5-10 lbs. Spool every 3 lbs.
- 10-25 lbs. Spool every 5 lbs.
- 25-70 lbs. Spool every 7 lbs.
- 70 lbs.+ Spool every 10 lbs.

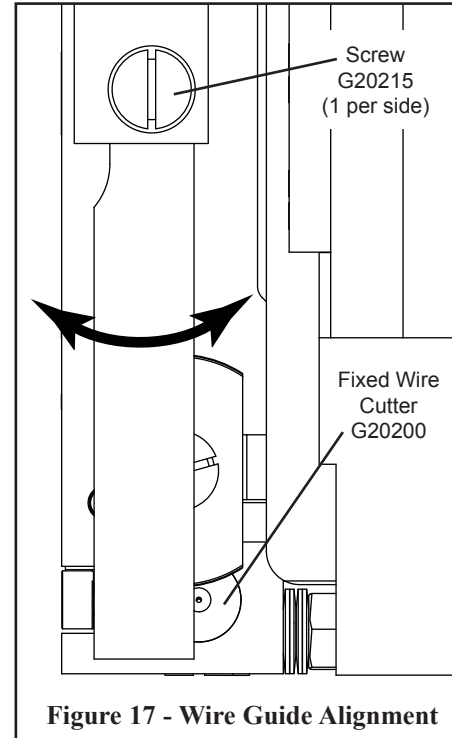
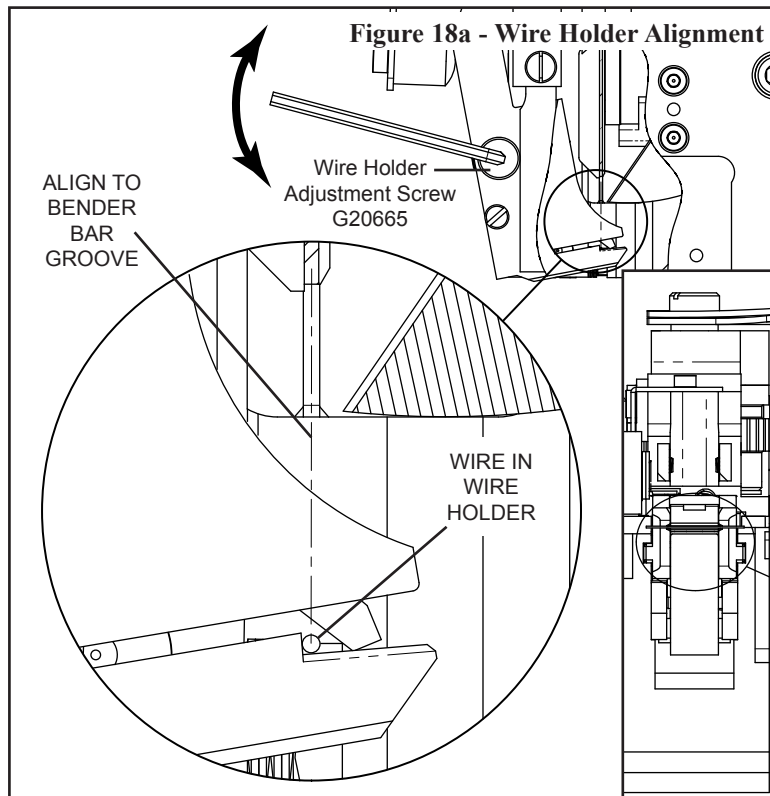
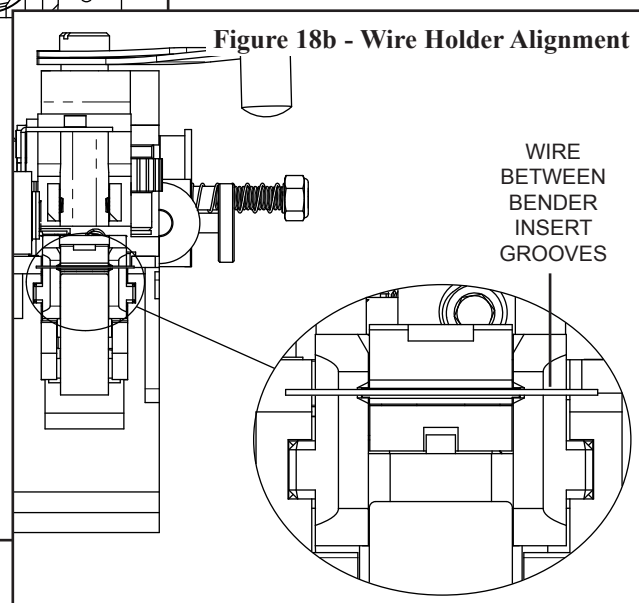


Figure 17 - Wire Guide Alignment

### Aligning the Wire Holder (Figure 18a & b)



In order to form a quality stitch, the Wire Holder has to be in alignment with the Bender Bar. Specifically, the cut piece of wire held in the Wire Holder has to line up with the grooves in the Bender Bar. Poor adjustment

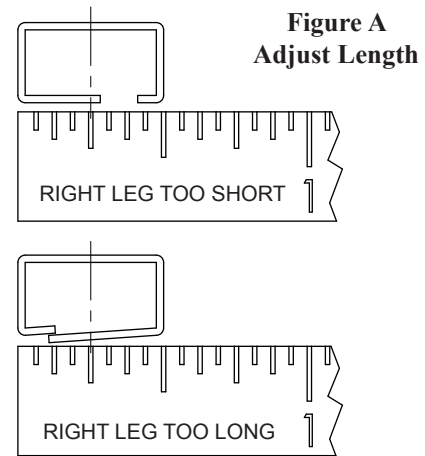
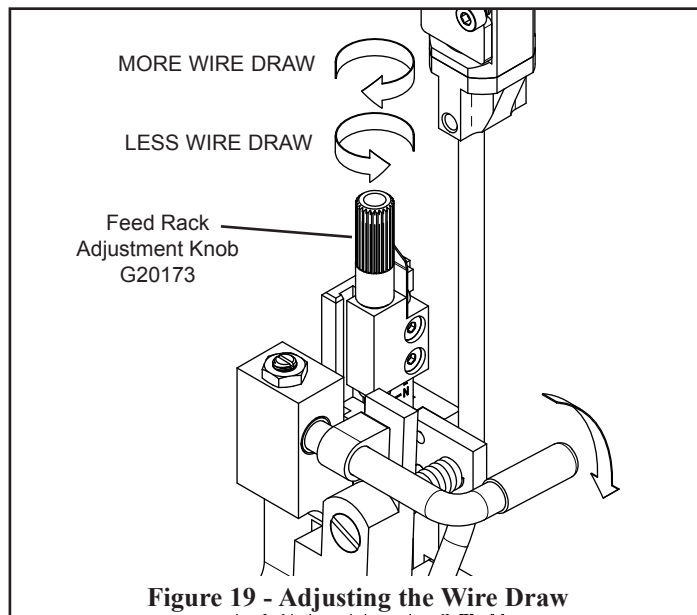


may cause broken crowns or other poor stitching.

Load a piece of wire into the Wire Holder. Using a mirror, check to make sure the wire in the Wire Holder is lined up with the grooves in the Bender Bar (Figure 18b). If it is not, loosen the Socket Head Set Screw in the front of the Wire Holder and the Hex Nut (seen in Figure 15) securing the Wire Holder Adjustment Screw (Figure 18a). Turn the Adjustment Screw until the wire is aligned with the grooves in the Bender Bar. Tighten the Hex Nut and Set Screw to secure this setting.

Remove the wire in the Wire Holder and load another piece in the Stitcher Head. Verify that the setting established is accurate by again checking the piece of wire with the mirror.

### Adjusting the Stitch (Figure 19-23)



Before making any adjustments, make sure your stitching machine compression setting is set to the proper thickness of work. Make a few sample stitches and look at the results.

### Setting the Stitch Gap (Or Adjusting the Wire Draw)

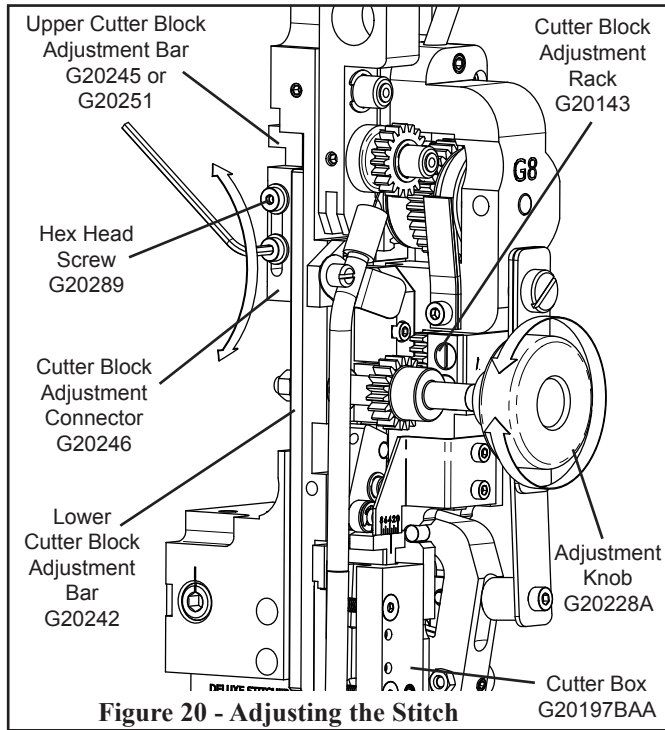
To adjust the overall length (wire draw) of the stitch, disengage the Small Feed Gear by turning the Feed Release Handle 1/4 of a turn to the right as shown. Adjust the Feed Rack Adjustment Knob until the gap between the staple legs allows only the edge of a fingernail to pass between them.

- To extend the length of the stitch or decrease the gap, turn the Feed Rack Adjustment Knob clockwise. (See upper view of Figure A)
- To shorten the length of the stitch or increase the gap, turn the knob counter-clockwise. (See lower view of Figure A)

### Centering the Stitch Gap (Or Setting Equal Length Legs)

The amount of wire on either side of the stitch gap should be the same. The gap position is controlled by the position of the Cutter Block. As thicker work is stitched, the Cutter Block must be moved further from the Wire Holder to keep the legs of the stitch even and the gap centered.

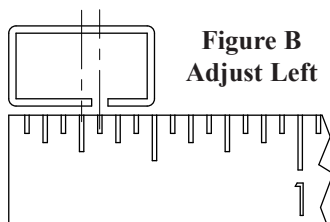
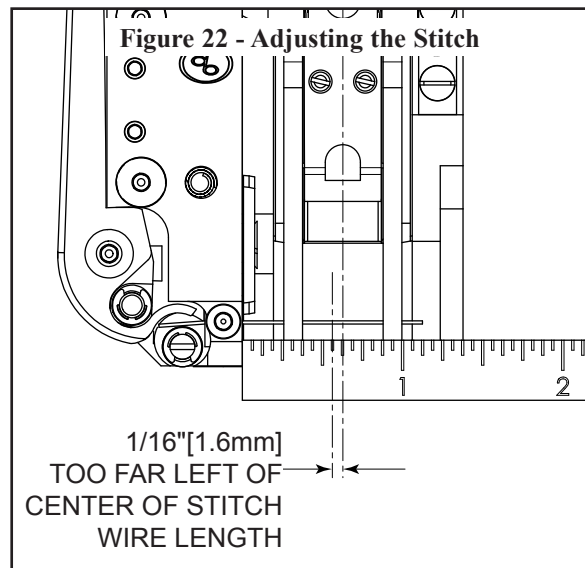
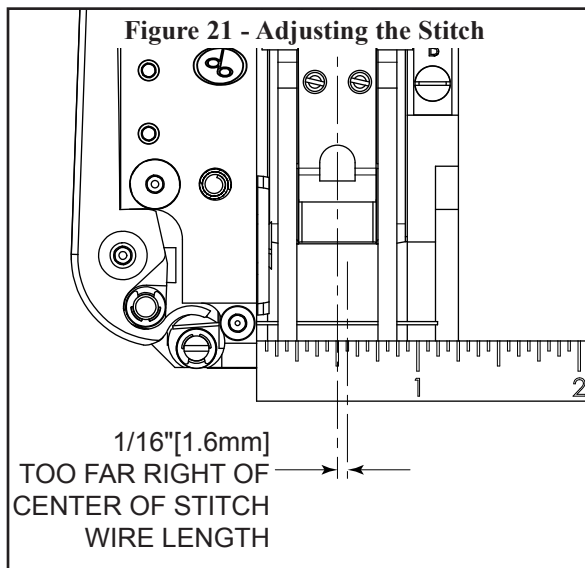




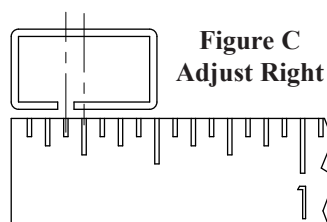
For **G8 Heads mounted to a machine with an adjuster rail**, loosen the two (2) Hex Head Screws securing the Lower Cutter Block Adjustment Bar and Cutter Block Adjustment Connector to the Upper Cutter Block Adjustment Bar (both versions shown in Fig. 4). **For all G8 style Heads**, place the Adjustment Knob over the Cutter Adjustment Stud as shown in Figure 20 and engage the teeth of the Cutter Block Adjustment Rack and adjust as shown in the following illustrations. Be sure to run a couple of stitches after each adjustment.

**⚠ WARNING**

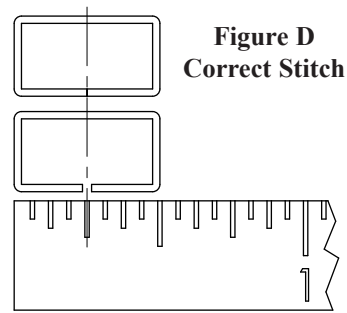
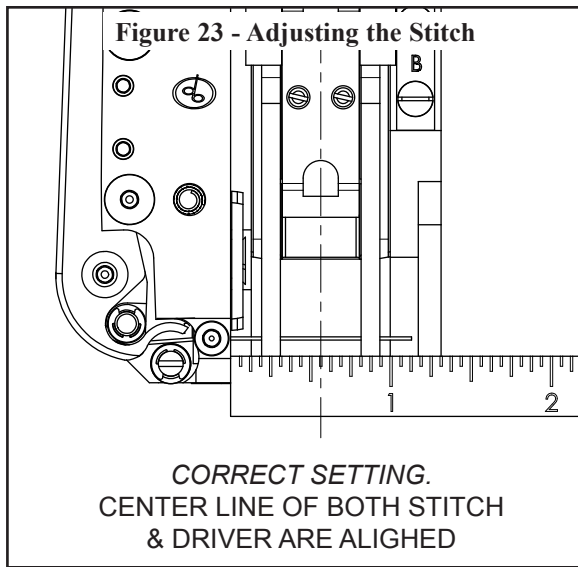
**Always disconnect the power supply before making any adjustments or servicing the head.**



Gap of stitch is 1/16" off center to the right. To correct, turn the Adjustment Knob clockwise, to shift the Cutter Box 1/16" to the left.



Gap of stitch is 1/16" off center to the left. To correct, turn the Adjustment Knob counter-clockwise to shift the Cutter 1/16" to the right.



The ideal stitch has the center of gap aligned to the center of the finished stitch.

### Aligning the Clincher Plate (Figures 24-27)

In order to produce properly clinched staples, the center of the Clincher Plate (round or flat, thick or thin) must be exactly in line with the Driver both left-to-right and front-to-back.

#### Front-to-Back Adjustment

Manually activate the G8 until the Stitcher Head is at the bottom of its stroke and the Driver is touching the top of the Clincher Plate. Looking from the side of the Stitcher Head, make sure the rib of the Driver is aligned with the center of the gap between the front and back plates of the Clincher Plate Assembly. All adjustments are made to the screws in the back of the G8 while the Stitcher Head is removed from the Stitcher Machine.

Loosen the two (2) Socket Head Set Screws in the side of the Head. If the Driver is positioned in front of the Clincher Plate then the upper Adjustment Set Screw must be turned counter-clockwise until the Screw sticks out slightly from the back of the Head, while the lower Screw remains under flush.

If the Driver is positioned in back of the Clincher Plate then the lower Adjustment Set Screw must be turned counter-clockwise until it sticks out slightly from the back of the Head, while the upper Screw remains under flush.

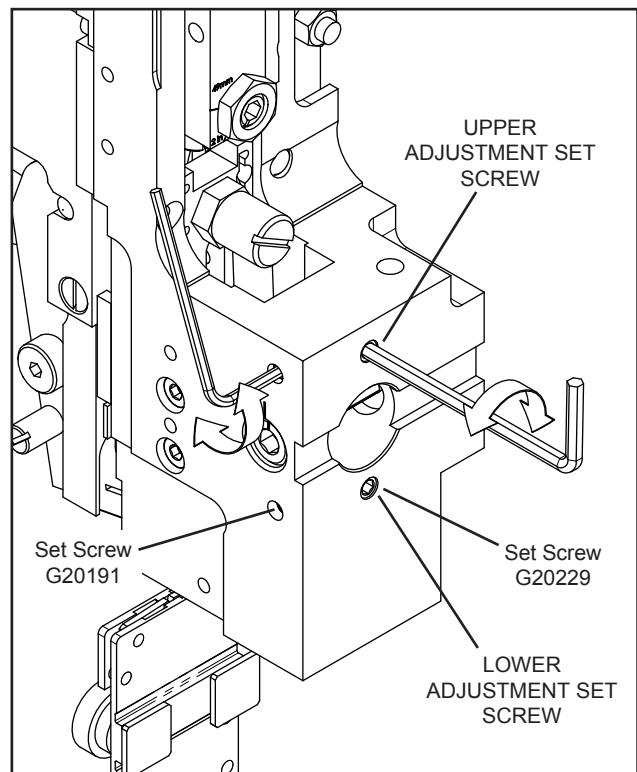
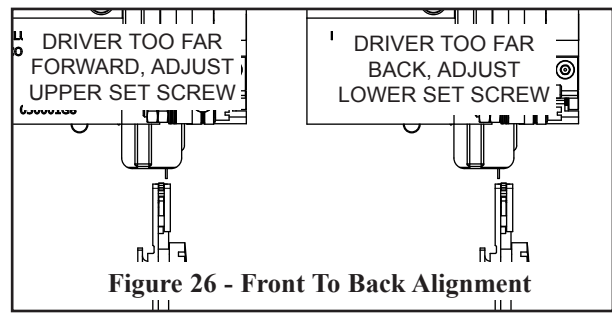
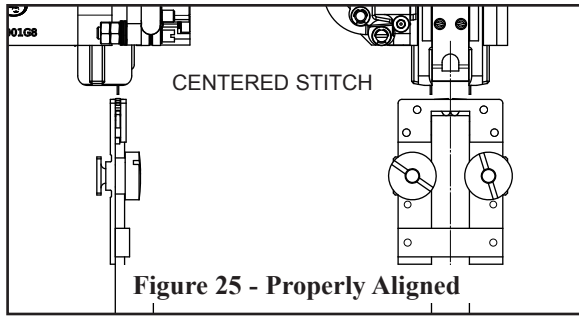


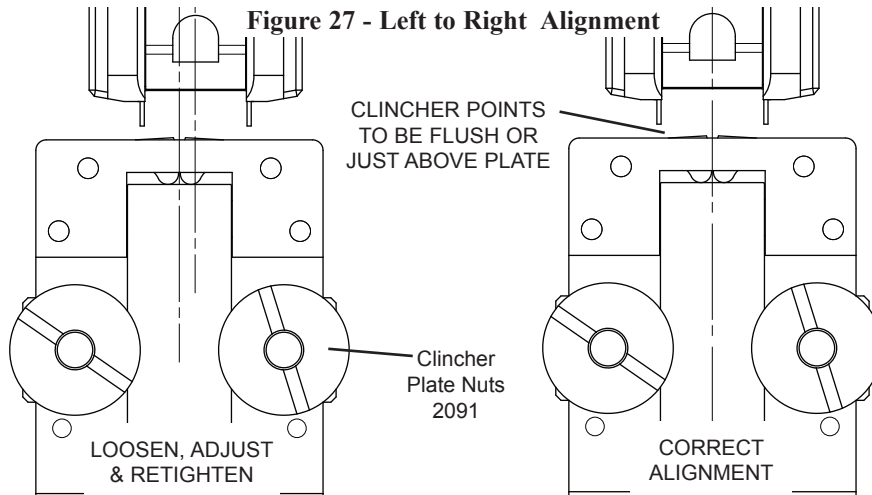
Figure 24 - Aligning the Clincher Plate



Slight adjustments to the Set Screws make significant differences in position. Once the position is set, tighten the two (2) Socket Head Set Screws in the side of the Stitcher Head.

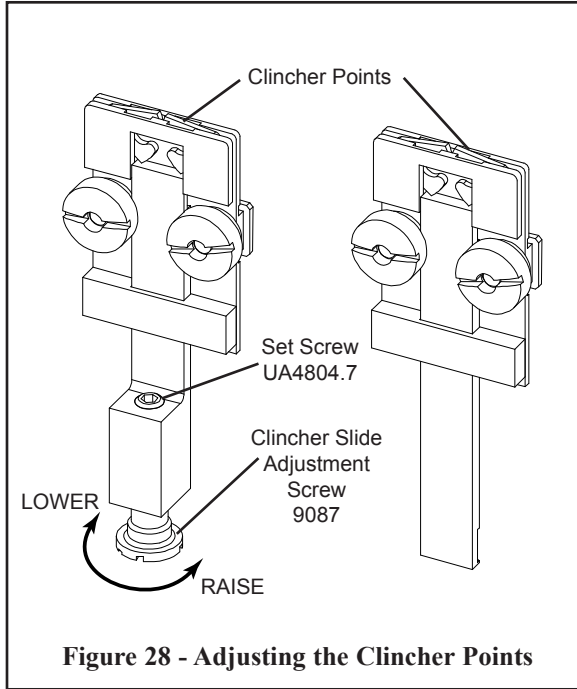
### Left-to-Right

Looking from the front of the Stitcher Head, make sure the Driver is centered directly above the Clincher Slide (CA9093A or 9084B). If it is not, loosen the two (2) Clincher Plate Nuts and move the entire Clincher Plate Assembly to the right or to the left. Secure this position while tightening the nuts again.



## Adjusting the Clincher Points (Figure 28-29)

The position of the Clincher Points should be flush, or slightly above flush, with the Clincher Plate in order to achieve a quality stitch. To ensure this, manually turn the stitcher machine until the Driver is at the lowest position of its stroke and the Clincher Points are at their highest position. Turn the stitcher machine just past this point to reveal the Clincher Points' position. Clincher Points that do not pivot high enough will produce a weak clinch, where Clincher Points that pivot too high will cause poor stitch quality or cut the stock being stitched.



**Figure 28 - Adjusting the Clincher Points**

*Note: Ensure that the stitcher machine's compression setting is correct before making Clincher Point adjustments.*

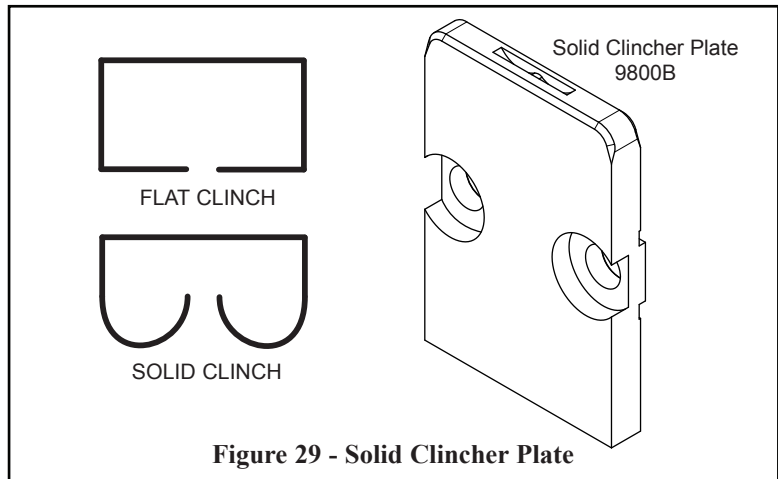
To adjust the Clincher Points, loosen the Set Screw on the top of the Clincher Slide (9084B). Turn the Clincher Slide Adjustment Screw clockwise to lower the Clincher Points and counter-clockwise to raise them. Once set, reighten the Set Screw.

*Refer to the complete list of wear parts for the G8 style Stitcher Head, found in the back of this manual on page 47. The Clincher Points and Clincher Plates necessary for a quality stitch are specific to the crown size and wire gauge size used in each stitcher head.*

For a Solid Clincher Plate, the legs of each stitch are formed when the wire hits the formed grooves of the Clincher Plate, instead of movable Clincher Points

coming up to meet the wire. The resulting stitch will curled legs instead of flat (Figure 29).

The only adjustment that can be made to a Solid Clincher Plate is to make sure it is centered below the Head's Driver and even that adjustment can only be made on multi-head stitcher machines.

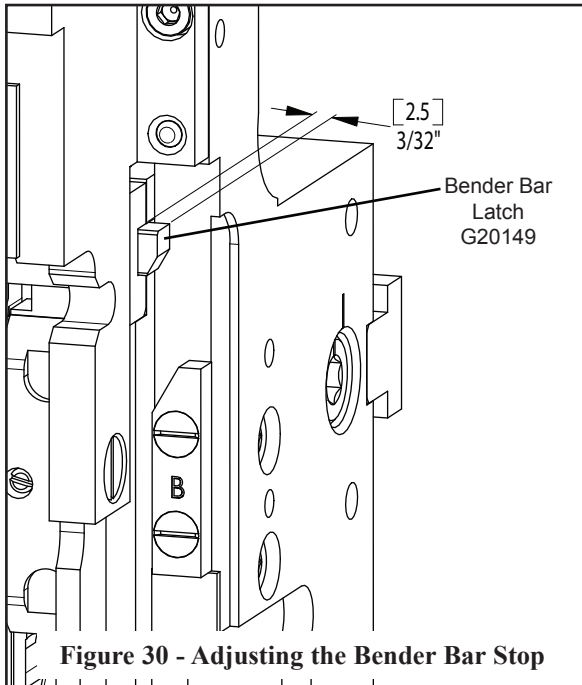


**Figure 29 - Solid Clincher Plate**

**Always disconnect the power supply before making any adjustments or servicing the head.**

**⚠ WARNING**

## Adjusting the Bender Bar Stop (Figures 29-31)

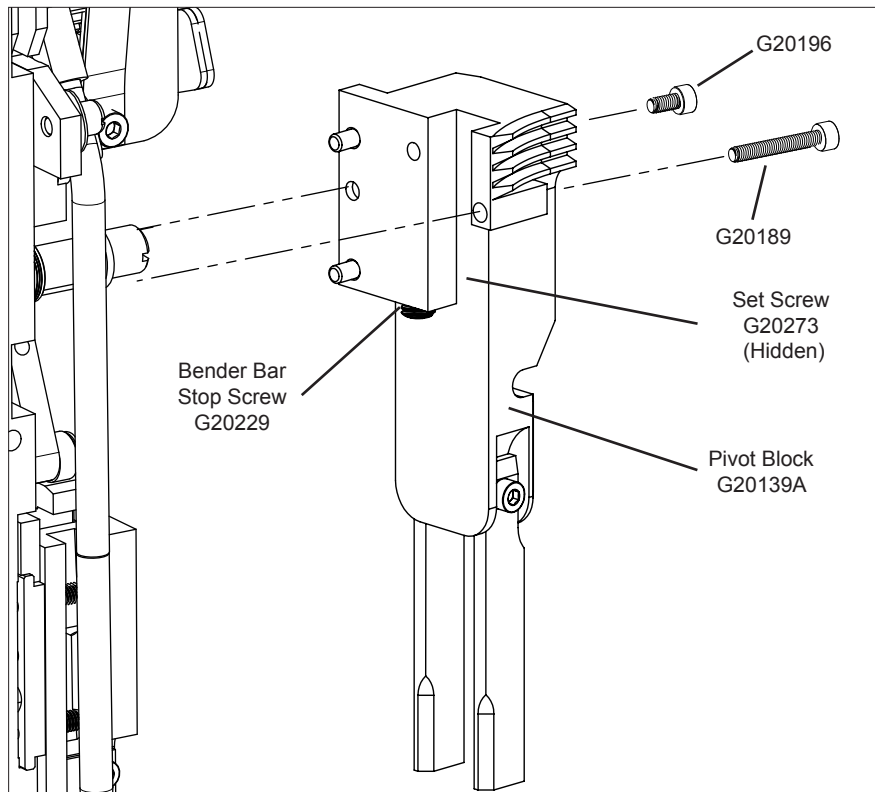


**Figure 30 - Adjusting the Bender Bar Stop**

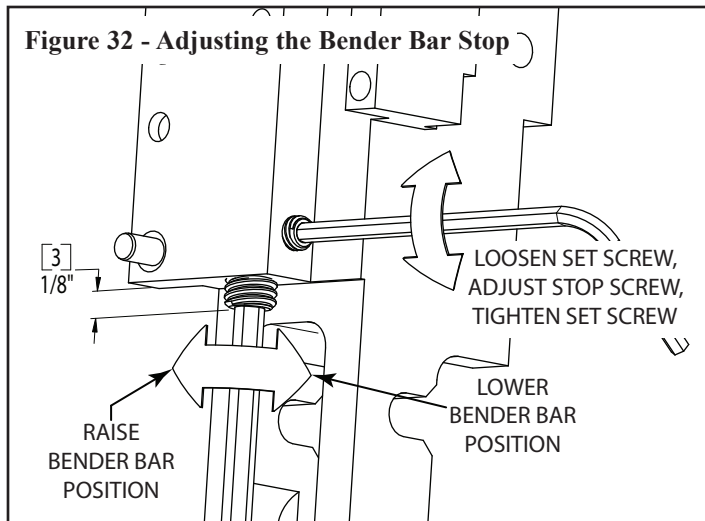
The Bender Bar Stop is set at the factory. The Stop controls the position of the Bender Bar Latch at the top of the stitcher head's stroke. If the Latch does not fall within the proper area of the Driver Bar, partially formed stitches will result or the G8 will jam.

The right edge of the Bender Bar Latch should stick out from the Bender Bar at least 3/32" [2.5mm] (Figure 30) when the G8 reaches the top of its stroke. If the Latch does not protrude this far then the Bender Bar Stop Screw is set too high. If the Stop Screw is set too low then the wire will hit the Bender Bar rather than feeding below it for forming.

To adjust, remove the two (2) Screws securing the Pivot Block (with attached components) to remove it from the Feed Gear Bracket (Figure 31). Loosen, but do not remove, securing the Stop Screw. Turn the Stop



**Figure 31 - Removing Pivot Block Assembly**



Screw clockwise to raise the Bender Bar's position and counter-clockwise to lower it's position. The normal position is about 1/8" or 3mm out from the Feed Gear Bracket.

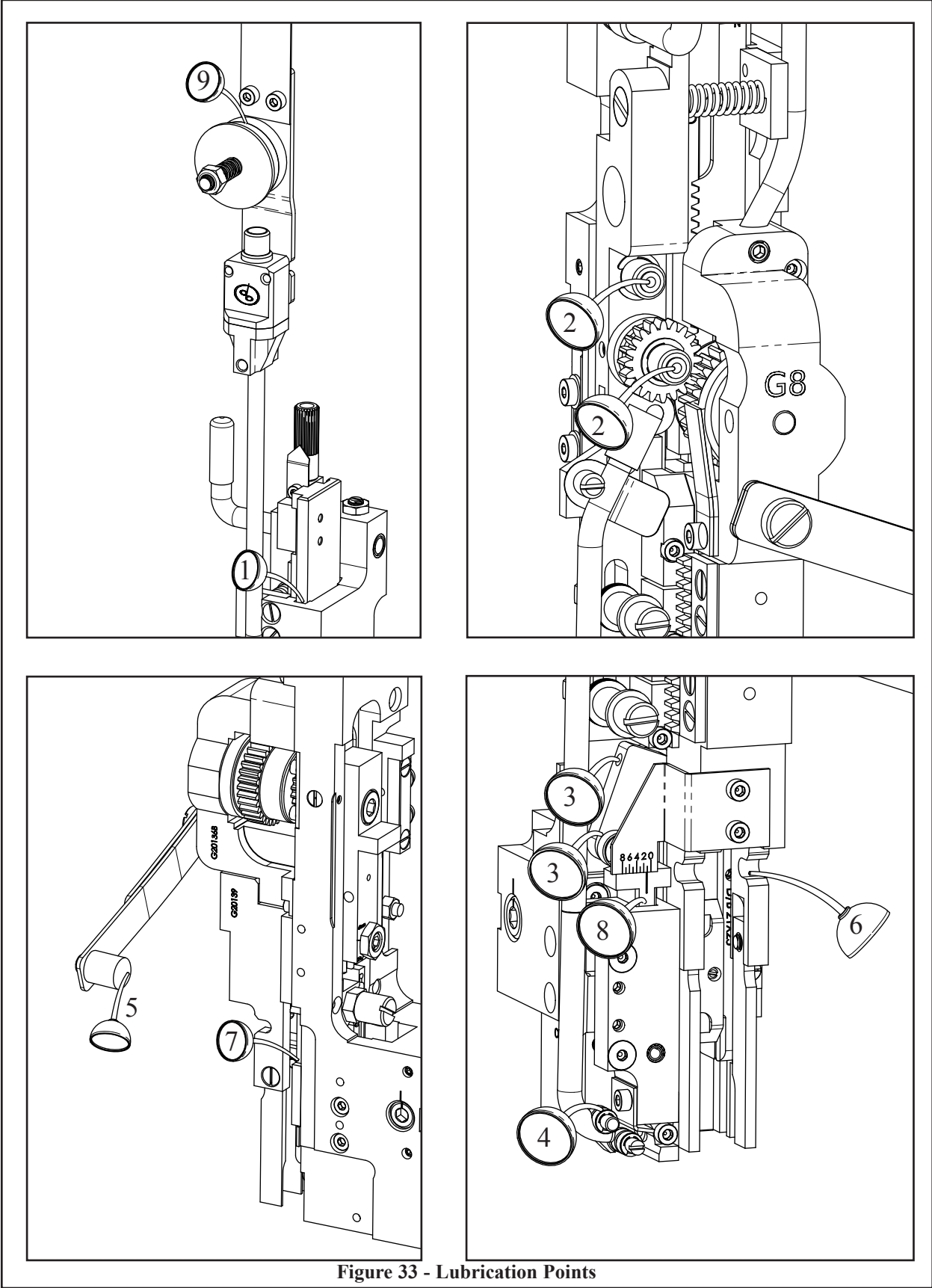
Replace the Pivot Block using its Locating Pins with the holes in the Bonnet. Manually turn the Large Feed Gear (G20110A) if its teeth are not aligned with those on the Feed Rack (G20127). Replace the Screws.

## Maintenance

### Lubrication (Figure 33)

Use any standard S.A.E. #10 oil for lubricating the heads. Heads that are in constant operation should be lubricated daily. Heads that are operated periodically should be lubricated every five pound wire spool change or every month, which ever comes first. Usually, only a drop of oil is required at each lubrication point. Care must be taken that those parts of the head that contact the work to be stitched are free of oil. Lubricate regularly instead of excessively. Excessive oiling will result in work becoming spotted with oil. Use one drop of oil in the following lubrication points:

1. The top of the Bonnet (G20000A) on either side of the Feed Slide (G20131).
2. The fittings on the Feed Lever Pivot Pin and the Small Feed Gear Pin (G20262A).
3. The Cutter Operating Lever Pivot Pin (G20231) and Roller Pin (G20232).
4. The Wire Straightening Rollers (G20208B) in the Cutter Block Assembly (G20197A).
5. On the Wire Holder Assembly under the Wire Holder Retaining Spring Foot (G20184).
6. Where the Wire Holder Assembly (G20559BA) pivots in the Left and Right Wire Guide Bars (G20141 and G20142).
7. On the Bender Bar Latch (G20149) and the Latch Release Cam (G20115).
8. In the Cutter Block Assembly, along side the Cutter Operating Slide (G20198).
9. In the Wire Felt to saturate it.



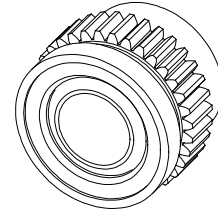
## Cleaning

**Always power down the stitcher machine before any maintenance or adjustments are made to the stitcher head.**

**CAUTION**

In addition to proper lubrication, routine cleaning is important for the maintenance of your G8 Head. The entire Head should be torn down and rebuilt every three to six months and the following areas should be cleaned once every three months:

- **Large Feed Gear (G20110A):** remove and wash in an oil-dissolving solvent, like Aeroshell 14 (G20824). Dry and relubricate.
- **Anywhere that dust, oil or pieces of wire and paper have built up** - for example: around the Clincher Points and around the Wire Straightener Rollers.



**Figure 34 - Large Feed Gear**



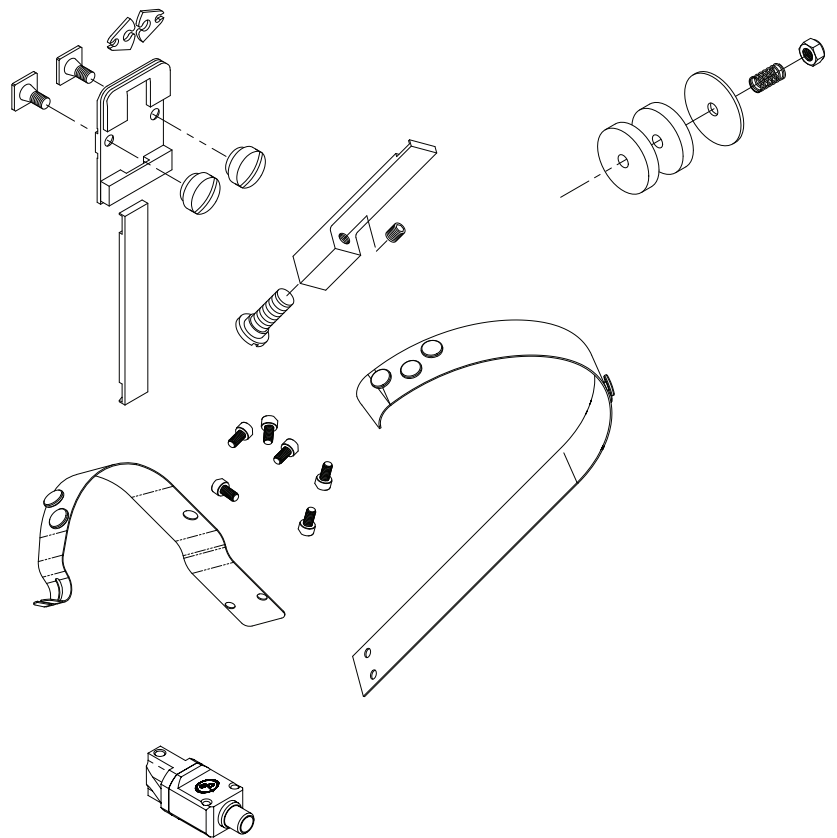
## Ordering Spare Parts

In time, you will need to replace some parts in your G8 style Stitcher Head.

When this happens:

1. Locate the needed part from manual in one of the diagrams.
2. Find the DeLuxe Stitcher part number
3. Contact your Graphic Arts Representative  
to order the part by the part number, description and quantity.

**Customer Service Hotline: 800-634-0810**



## Troubleshooting (Figure 35)

The quality and quantity of work that can be produced with the G8 Stitcher Head is dependent upon the operator making all adjustments as accurately as possible and carefully maintaining the head.

The cause of staple imperfections usually can be traced to inaccurate settings or normal wear of moving parts. In the event of trouble of this nature occurring, the operator can, by referring to the following troubleshooting chart, quickly locate and remedy the cause or causes of the trouble.

The following is a brief list of problems and solutions which should cover the majority of situations encountered when stitching with the G8 Stitching Head.

In the event of problems of this nature occurring, the operator can, by referring to the following troubleshooting chart, quickly locate the solutions.



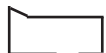
**PROBLEM:** Crown Not Straight

**SOLUTION:** Straighten the wire. (See page 17) Align the Clincher Points. (See page 22) Reverse or replace the worn or broken Driver. (See page 28) Make sure the Cutters are aligned and not dull. (See page 18) Check for correct wire size and strength being used. Check for correct work thickness setting. Check the quality of the wire being used, change spools.



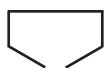
**PROBLEM:** Leg(s) Buckled

**SOLUTION:** If the ends of an unformed piece of wire are not smooth, the Wire Cutters are worn. Check for wear and rotate or replace if needed. (See page 28) Make sure the Cutters are aligned properly. (See page 18) Make sure the correct wire size is being used and that the wire is straight. (See page 17). Check the quality of the wire being used, change spools.



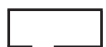
**PROBLEM:** Corner Buckled

**SOLUTION:** Check the Driver for a chipped corner and rotate or replace it if needed. (See page 28) Align the Wire Holder. (See page 18) Check the tensile strength of the wire or use thicker wire.



**PROBLEM:** Clinch Too Loose

**SOLUTION:** The Clincher Points are too low or too high and need adjusting. (See page 22) The compression of the stitcher machine is insufficient and needs to be increased.



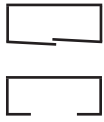
**PROBLEM:** Left Leg Too Short / Right Leg Too Long

**SOLUTION:** Adjust the position of the Cutter Block Assembly by moving it away from the Head. (See page 20)



**PROBLEM:** Left Leg Too Long / Right Leg Too Short

**SOLUTION:** Adjust the position of the Cutter Block Assembly by moving it away toward the Head. (See page 20)



**PROBLEM:** Staple Legs Too Long or Too Short  
**SOLUTION:** Correct the overall wire draw by repositioning the Feed Rack within the G8 Head. (See Page 21)



**PROBLEM:** Left Leg Missing  
**SOLUTION:** Straighten the wire. (See page 17)  
The Wire Holder Assembly is not aligned properly with the groove in the Bender Bar.



**PROBLEM:** Legs are Spread or Contracted  
**SOLUTION:** Straighten the wire. (See page 17)  
Weak wire or wrong gauge being used, change spools.



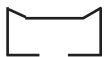
**PROBLEM:** Legs Stray Forward or Backward Consistently  
**SOLUTION:** The Clincher Points are not aligned properly front to back. (See page 22)



**PROBLEM:** Stitch Stray Randomly In and Out and Front to Back  
**SOLUTION:** Straighten the wire. (See page 17)  
Make sure the Cutters are aligned properly. (See page 18)  
Check the tensile strength of the wire or use thicker wire.  
Verify correct wire gauge is being used, change spools.



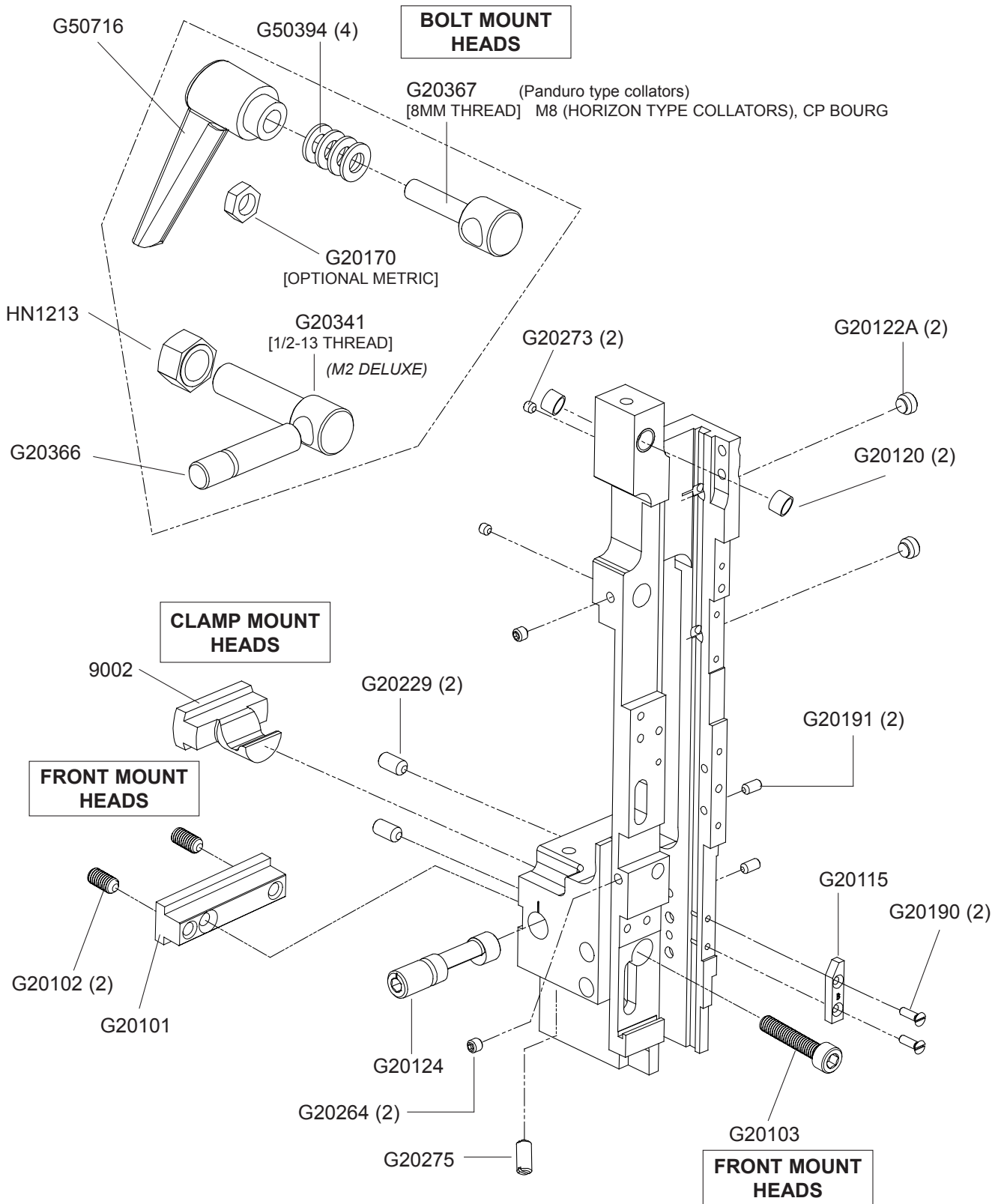
**PROBLEM:** Partially Formed Stitches  
**SOLUTION:** The Bender Bar Latch is not engaging with the Driver Bar, either may be worn.  
The Bender Bar Stop Screw is set too low. (See page 24).  
Broken Latch or Latch Spring, replace. (See page 28)



**PROBLEM:** Weak crown, crown breaks off after stitch  
**SOLUTION:** Align the Wire Holder with the grooves in the Bender Bar (See page 18).  
Check the tensile strength and size of the wire being used.

**PROBLEM:** No wire being drawn  
**SOLUTION:** Make sure the Feed Release Handle is turned to the “on” position and the Feed Gears engaged. (See page 16)

# Bonnet Sub-Assembly



<b>Part Number / Description Cross-Reference</b>
--

**Bonnet Sub-Assembly**

G20115	LATCH RELEASE CAM	1
G20120	FEED RELEASE BUSHING	2
G20122A	FEED SLIDE RETAINING SCREW ASY	2
G20190	SCREW M3X.5X10- FHMS- SLOTTED	2
G20191	SCREW, M4X.7X8 SHSS	2
G20229	SCREW, M6X1.0X12, NYLON	2
G20264	SCREW M5X.8X5 SHCS	2
G20273	SCREW M4X0.7X4 SHSS	2
G20275	BALL SPRING PLUNGER	1

**Mount Head Styles**

**Bolt Mount Heads**

G20170	HEX JAM NUT, M8X1.25	1
G20341	REAR MOUNTING BOLT, 1/2"-13	1
G20366	REAR CLAMP PIN	1
G20367	REAR MOUNTING BOLT, 8MM	1
G50394	FLAT WASHER - M8	4
G50716	MOUNTING BLOCK HANDLE, M8	1
HN1213	BONNET STUD NUT, 1/2"-13	1

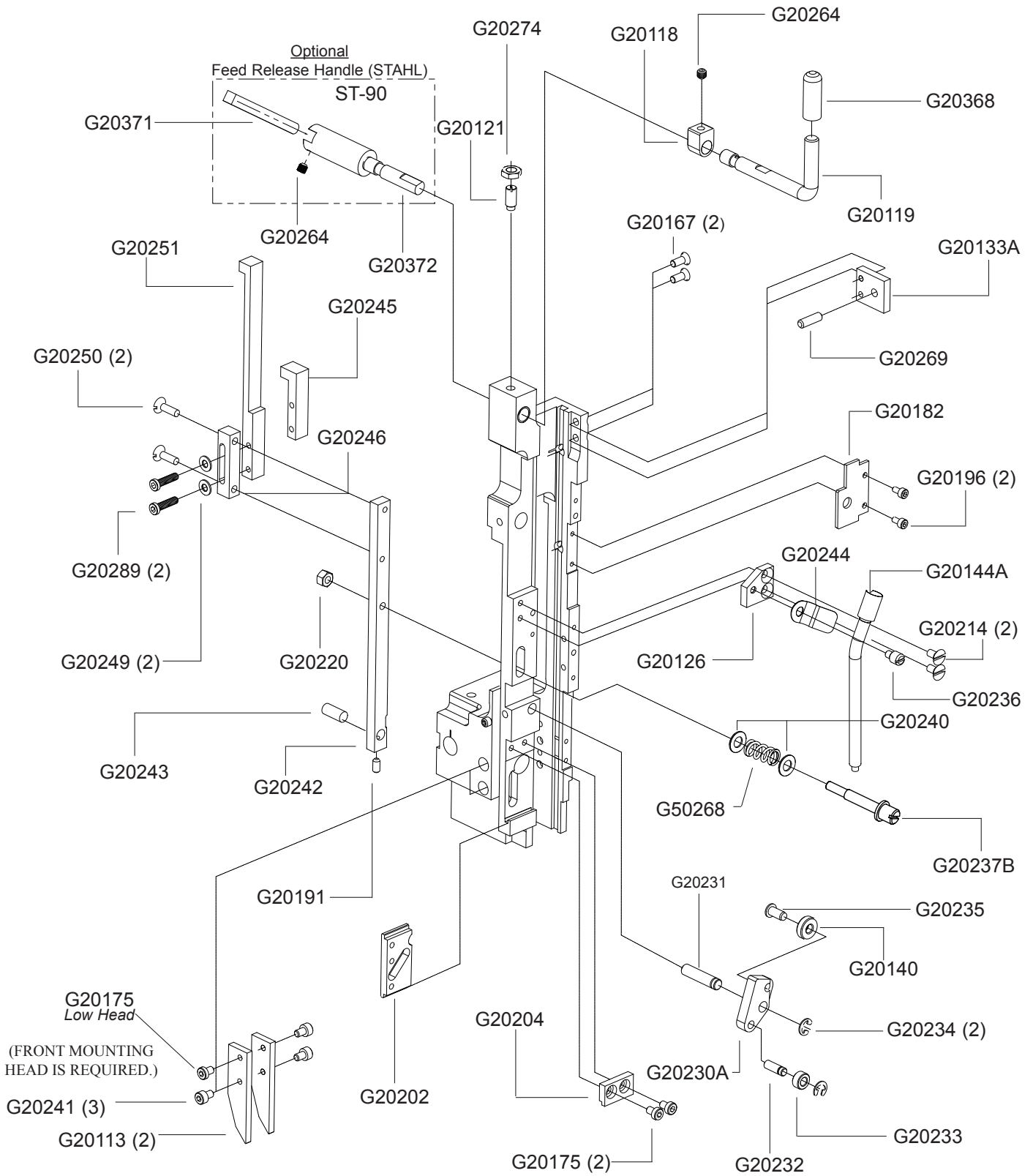
**Front Mount Heads**

G20101	FRONT MOUNT BLOCK - G8	1
G20102	SCREW M6X1.0X12, NYLON	2
G20103	SCREW M6X1.0X30	1

**Clamp Mount Heads**

9002	BONNET CLAMP BLOCK	1
G20124	BONNET CLAMP ECCENTRIC	1

# Bonnet Sub-Assembly



## Bonnet Sub-Assembly

G20118	FEED RELEASE HANDLE CAM	1	G20234	E-RING- 3/16"	2
G20119	FEED RELEASE HANDLE	1	G20235	FOLLOWER BEARING SHAFT	1
G20121	FEED RELEASE PLUNGER	1	G20236	TUBE PIVOT SCREW	1
G20126	TUBE PIVOT PLATE	1	G20237B	ADJUSTMENT STUD	1
G20133A	FEED RELEASE BLOCK ASSY	1	G20240	ADJUSTMENT WASHER	2
G20140	FOLLOWER BALL BEARING	1	G20242	ADJUSTMENT BAR - LOWER	1
G20144A	MIDDLE WIRE TUBE ASSEMBLY	1	G20243	DOWEL PIN 1/4X9/16	1
G20167	SCREW, M4X0.7X10 FHCS	2	G20244	TUBE PIVOT CLIP	1
G20175	SCREW M4X.7X6 SHCS	2	G20245	ADJUSTMENT BAR - UPPER	1
G20182	FEED GEAR SHAFT PLATE	1	G20246	ADJUSTMENT CONNECT	1
G20191	SCREW, M4X.7X8 SHSS	1	G20249	CUTTER BLOCK WASHER	2
G20196	SCREW M3X.5X6 SHCS	2	G20250	SCREW M4X.7X14	2
G20202	CUTTER BLOCK SLIDE PLATE	1	G20251	ADJUSTMENT BAR - UPPER	1
G20204	UPPER CUTTER BLOCK GUIDE	1	G20264	SCREW M5X.8X5 SHCS	2
G20214	SCREW M4X0.7X8 FHMS	2	G20269	SPIROL PIN 3/16X5/8	1
G20220	HEX NUT M5X.8	1	G20274	HEX JAM NUT, M6X1	1
G20230A	CUTTER OPERATING LEVER ASSY	1	G20289	SCREW M4X.7X16	2
G20231	CUTTER OP. LEVER PIVOT PIN	1	G20368	FEED RELEASE HANDLE CAP	1
G20232	CUTTER OP. LEVER ROLL PIN	1	G50268	FEED LEVER SPRING	1
G20233	CUTTER OP. ROLLER	1			

## Front Mounting Heads

G20113	SUPPORTER GUIDE PLATE	2
G20175	SCREW M4X.7X6 SHCS	1
G20241	SCREW M4X0.7X6 SHCS	3

## Optional

### Feed Release Handle (STAHL)

G20371	FEED RELEASE HANDLE	1
G20372	FEED RELEASE SHAFT	1
G20264	SCREW M5X.8X5 SHCS	1





## Feed Gear Assembly

72001	SCREW M4X0.7X8	1
G20110A	LARGE FEED GEAR ASSEMBLY	1
G20111A	FEED PINION ASSEMBLY	1
G20114	FEED PINION SHAFT	1
G20128	LARGE FEED GEAR WASHER	1
G20129	SMALL FEED GEAR WASHER	1
G20136BA	FEED GEAR BRACKET ASSEMBLY	1
G20137	ROLLER CLUTCH BEARING	1
G20138	FEED PINION BEARING	2
G20139BAA	PIVOT BLOCK ASSEMBLY COMPLETE - G8	1
G20175	SCREW M4X0.7X6 SHCS	1
G20180	FLAT WASHER M6	1
G20181	UPPER WIRE TUBE	1
G20181B	UPPER WIRE TUBE, G8 STITCHMASTER	1
G20183	WIRE HOLDER RETAINING SPRING - LONG	1
G20184	WIRE HOLDER RETAINING SPRING FOOT	1
G20186	FEED GEAR FRICTION SPRING	1
G20187	FEED GEAR FRICTION STRIP	1
G20189	SCREW M3X.5X20	3
G20195	SET SCREW M6X1X8	2
G20196	SCREW M3X0.5X6 SHCS	4
G20241	M4X0.7X6MM SOCKET HEAD CAP SCREW	2
G20256B	CUTTER BLOCK SCALE	1
G20261B	WIRE HOLDER SPRING STUD	1
G20298	NYLOCK LOCK NUT, M6X1	1
G20316	WIRE HOLDER SPRING - SHORT	1
G20579	SCREW, M4X0.7X6-FHM-SLOTTED	2
G50617	WIRE HOLDER RETAINING WASHER	1

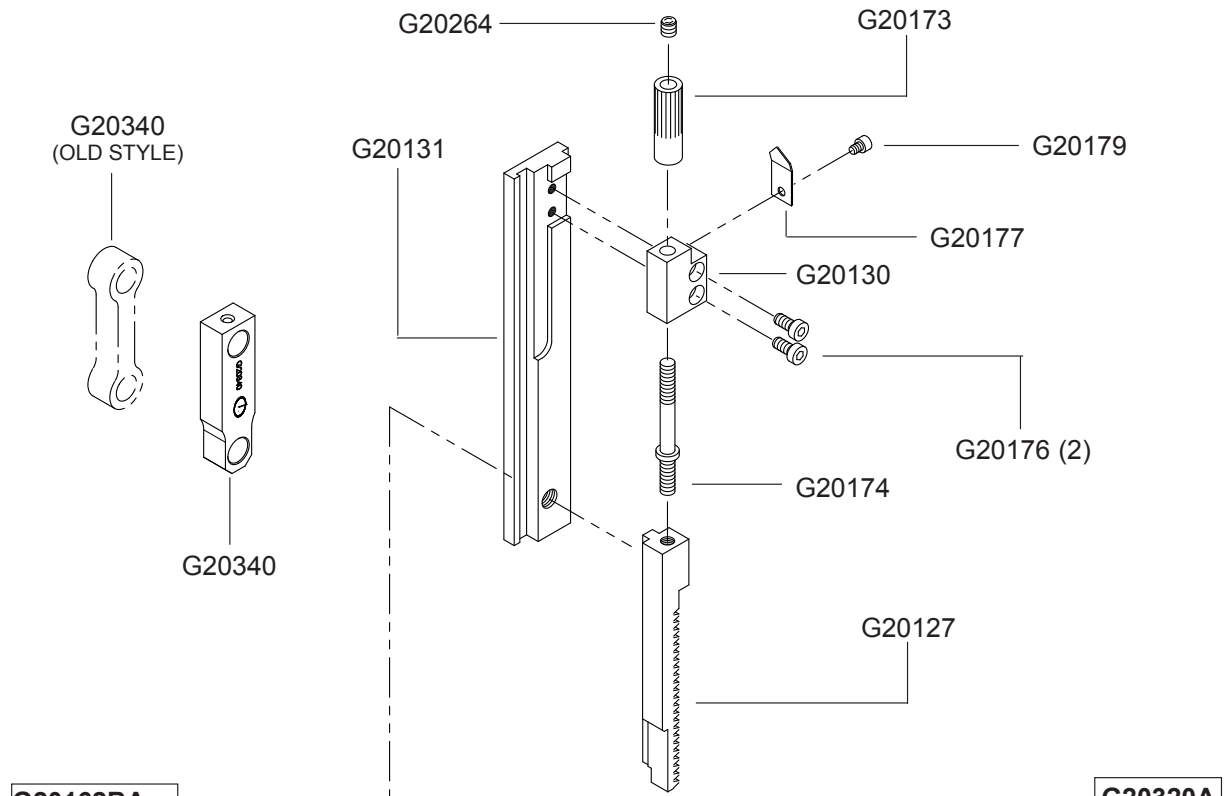
### **G20139A Replaced By G20139BA**

G20139	PIVOT BLOCK INSERT, 1/2" CROWN	1
G20143	ADJUSTMENT RACK	1
G20196	SCREW M3X.5X6 SHCS	2
G20214	SCREW M4X0.7X8 FHMS	2
G20229	SCREW, M6X1.0X12, NYLON	1
G20256	CUTTER BLOCK SCALE, G8	1
G20273	SCREW M4X.7X4 SHSS	1
G20541	WIRE GUIDE BAR, LEFT	2
G20579	SCREW M4X0.7X6	2

### **Feed Lever Assembly**

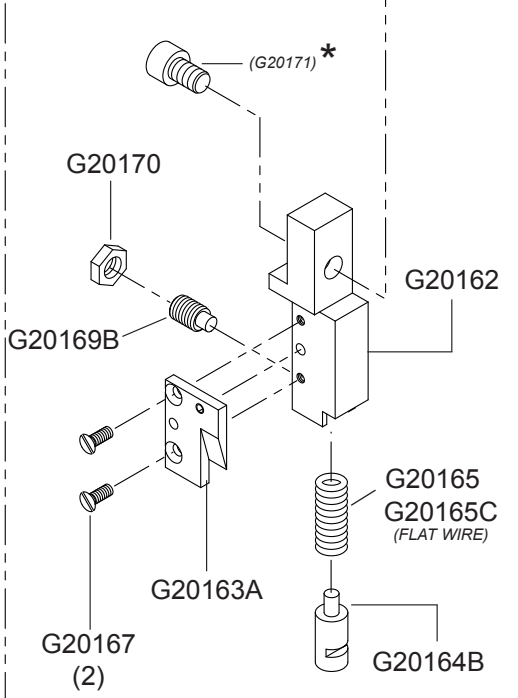
G20112	SMALL FEED GEAR	1
G20132	FEED LEVER	1
G20140	FOLLOWER BALL BEARING	1
G20262A	FEED LEVER PIN ASSEMBLY	2
G20263	FEED LEVER E-RING	2
G20264	SCREW M5X.8X5 SHCS	1
G20266	FOLLOWER BEARING PIN	1
G20267	FEED LEVER BUSHING	1
G20268	FEED LEVER SPRING	1

# Driving and Feed Slide Assemblies



**G20162BA**

**G20162CA (FLAT WIRE)**

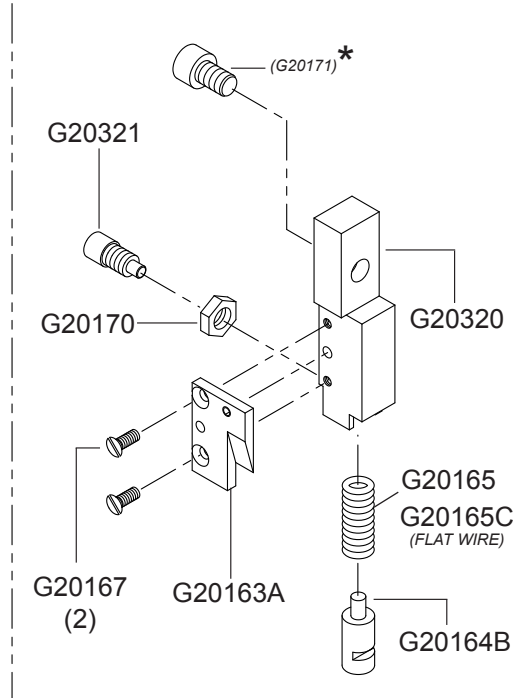


**For rail-driven Heads**

\* G20171 - shown as reference (NOT included in BOM)

**G20320A**

**G20320CA (FLAT WIRE)**



**For crank-driven Heads**

\* G20171 - shown as reference (NOT included in BOM)

## **Feed Slide Assembly**

G20127	FEED RACK	1
G20130	FEED ADJUSTMENT BLOCK	1
G20131	FEED SLIDE	1
G20173	FEED RACK KNOB - KNURLED	1
G20174	FEED RACK ADJUSTMENT STUD	1
G20176	SCREW M4X.7X12 SHCS LOW HEAD	2
G20177	FEED RACK ADJ KNOB POINTER	1
G20179	SCREW M3X.5X4, SHCS	1
G20264	SCREW M5X.8X5 SHCS	1
G20340	CRANK DRIVE LINK	1

## **Driving Slide Assemblies**

### **G20320A**

#### **Driving Slide Assembly - Crank Drive**

G20163A	CUTTER OPERATING RAMP ASSEMBLY	1
G20164B	DRIVING SIDE PLUNGER	1
G20165	DRIVING SLIDE SPRING	1
G20167	SCREW, M4X0.7X10 FHCS	2
G20170	HEX JAM NUT M8X1.25	1
G20320	DRIVING SLIDE - CRANK DRIVE	1
G20321	CRANK LINK SCREW	1

### **G20320CA**

#### **Driving Slide Assembly - Crank Drive, Flat Wire**

G20165C	DRIVING SLIDE SPRING, HEAVY	1
---------	-----------------------------	---

### **G20162BA**

#### **Driving Slide Assembly**

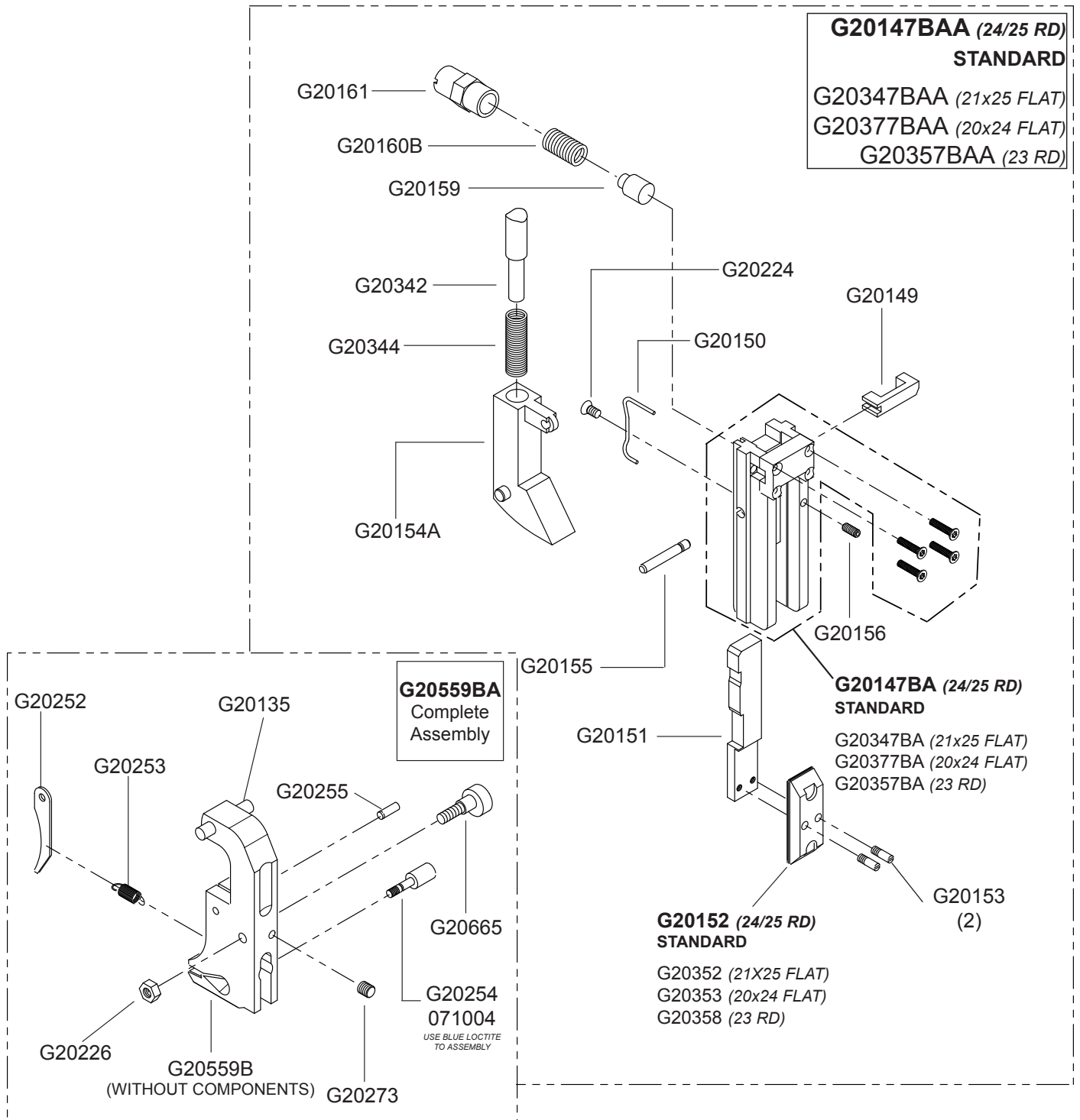
G20162	DRIVING SLIDE	1
G20163A	CUTTER OPERATING RAMP ASSEMBLY	1
G20164B	DRIVING SIDE PLUNGER	1
G20165	DRIVING SLIDE SPRING	1
G20167	SCREW, M4X0.7X10 FHCS	2
G20169B	DRIVING SLIDE PLUNGER SCREW ECCENTRIC	1
G20170	HEX JAM NUT M8X1.25	1

### **G20162CA**

#### **Driving Slide Assembly, Flat Wire**

G20165C	DRIVING SLIDE SPRING, HEAVY	1
---------	-----------------------------	---

# Bender Bar and Wire Holder Assemblies

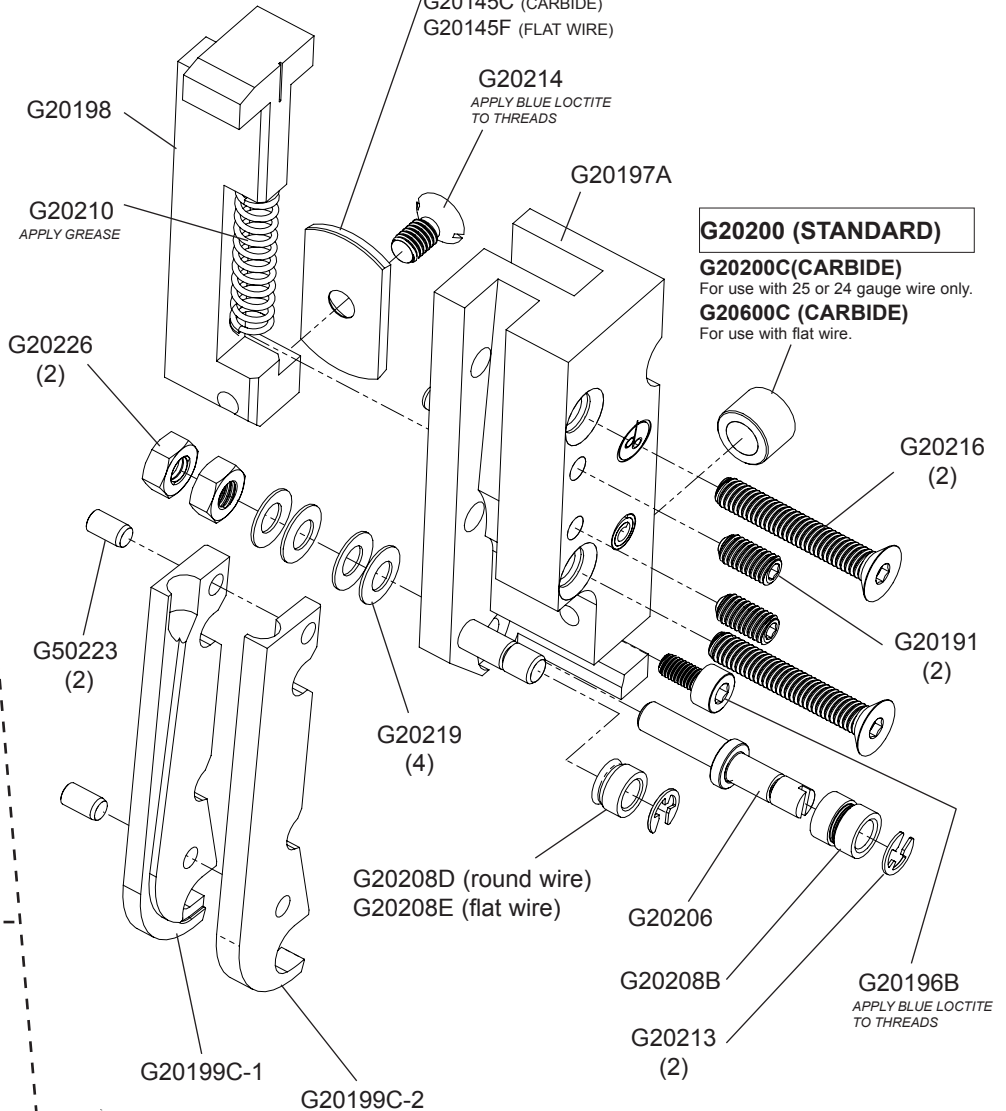


<b>G20147BAA</b>	<b><u>Bender Bar/Driver Assembly (24/25 RD) STANDARD</u></b>	
G20147BA	BENDER BAR ASSEMBLY, 24GA WIRE	1
G20149	BENDER BAR LATCH	1
G20150	BENDER BAR LATCH SPRING	1
G20151	DRIVER BAR	1
G20152	DRIVER, 24GA WIRE	1
G20153	DRIVER RETAINING SCREW	2
G20154A	SUPPORTER ASSEMBLY	1
G20155	SUPPORTER PIVOT PIN	1
G20156	SUPPORTER PIVOT PIN SCREW	1
G20159	BENDER BAR FRICTION PLUG	1
G20160B	BENDER BAR FRICTION SPRING	1
G20161	BENDER BAR FRICTION BUSHING	1
G20224	BENDER BAR LATCH SPRING SCREW	1
G20342	SUPPORTER SPRING PLUNGER	1
G20344	SUPPORTER SPRING	1
<b>G20347BAA</b>	<b><u>Bender Bar/Driver Assembly (21x25 Flat)</u></b>	
G20347BA	BENDER BAR ASSEMBLY, 21X25W	1
G20352	DRIVER, 21X25W	1
<b>G20357BAA</b>	<b><u>Bender Bar/Driver Assembly (23 RD)</u></b>	
G20357BA	BENDER BAR ASSEMBLY, 23W	1
G20358	DRIVER, 23W	1
<b>G20377BAA</b>	<b><u>Bender Bar/Driver Assembly (20x24 Flat)</u></b>	
G20377BA	BENDER BAR ASSEMBLY, 20X24W	1
G20353	DRIVER, 20X24W	
<b>G20599BA</b>	<b><u>Wire Holder Assembly 1/2 Cr</u></b>	
071004	LOCK WASHER RIBBED M3	1
G20135	DOWEL PIN M5X24	1
G20226	HEX NUT M4X.7	1
G20252	WIRE HOOK	1
G20253	WIRE HOOK SPRING	1
G20254	WIRE HOOK SPRING SCREW	1
G20255	HOOK PIVOT PIN	1
G20273	SCREW M4X0.7X4 SHSS	1
G20559B	WIRE HOLDER 1/2 CR	1
G20665	WIRE HOLDER ECCENTRIC SCREW	1

# Cutter Block Assembly

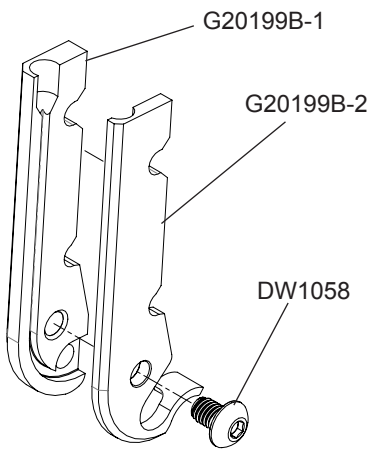
**G20197BAA** (round wire)  
**G20197FAA** (flat wire)  
 Complete Assembly

**G20145 (STANDARD)**  
 (ROUND WIRE)  
 G20145C (CARBIDE)  
 G20145F (FLAT WIRE)

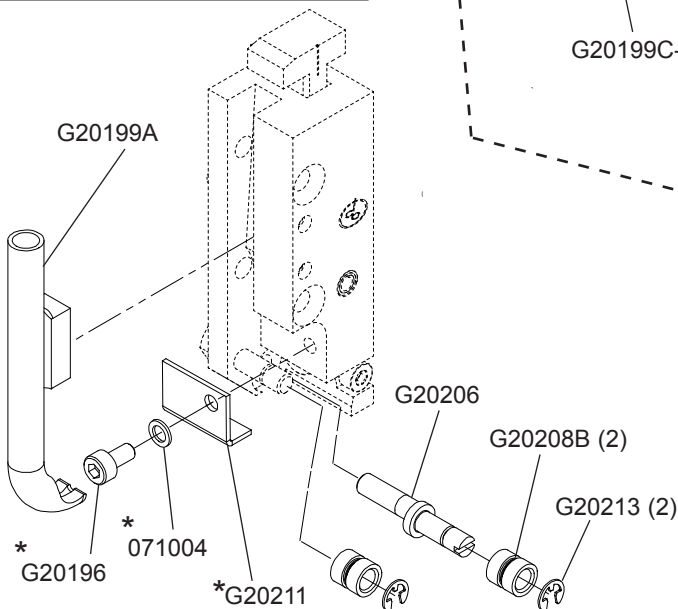


**G20200 (STANDARD)**  
**G20200C (CARBIDE)**  
 For use with 25 or 24 gauge wire only.  
**G20600C (CARBIDE)**  
 For use with flat wire.

## LOWER WIRE TUBE STYLE (2012-2019)



## LOWER WIRE TUBE STYLE (BEFORE 2012)



\* these parts must be removed before lower wire tube upgrade kit installation (G20199BAA or 20199FAA)

## LOWER WIRE TUBE UPGRADE KITS

ORDER KIT NUMBER: **G20199BAA** (round wire)

KIT INCLUDES:

- G20199C-1, (1)
- G20199C-2, (1)
- **G20208D**, (1)
- G20213, (2)
- G50223 (2)

ORDER KIT NUMBER: **G20199FAA** (flat wire)

KIT INCLUDES:

- G20199C-1, (1)
- G20199C-2, (1)
- **G20208E**, (1)
- G20213, (2)
- G50223 (2)

<p><b><u>Cutter Block Assembly</u></b>  <b><u>G20197BAA (ROUND WIRE)</u></b>  <b><u>G20197FAA (FLAT WIRE)</u></b>          Complete Assembly          (All parts on this page)</p>
--

G20145	MOVING CUTTER-RND WIRE (STANDARD)	1
G20145C	MOVING CUTTER - (CARBIDE)	
G20145F	MOVING CUTTER - (FLAT WIRE)	
G20191	SCREW, M4X.7X8 SHSS	2
G20196B	SCREW M3X.5X6 SHCS	1
G20197A	CUTTER BOX ASEMBLY	1
G20198	CUTTER OPERATING SLIDE	1
G20199C-1	LOWER WIRE TUBE BASE, G8 - S STYLE	1
G20199C-2	LOWER WIRE TUBE COVER, G8 - S STYLE	1
G20200	FIXED WIRE CUTTER (STANDARD)	1
G20200C	FIXED CUTTER - (CARBIDE)	
G20206	WIRE STRAIGHTENER ECCENTRIC	1
G20208B	WIRE STRAIGHTENER ROLLER	1
G20208D	WIRE STRAIGHTENER ROLLER, UPPER	1
G20210	CUTTER OPERATING SPRING	1
G20213	WIRE STRAIGHTENER ROLL CLIP	2
G20214	SCREW M4X0.7X8 FHMS	1
G20216	SCREW, M4X0.7X25	2
G20219	WIRE STRAIGHTENER DISC SPRING	4
G20226	HEX NUT M4X.7	2
G20212	WIRE STRAIGHTENER ROLL STUD	1
G50223	DOWEL PIN M3X6	2

**Lower Wire Tube Assembly, G8 Round Wire, Upgrade Kits**

**G20199BAA (ROUND WIRE)**

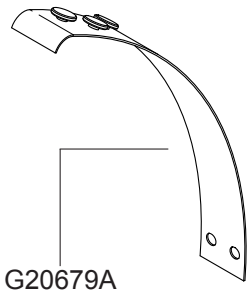
**G20199FAA (FLAT WIRE)**

G20199C-1	LOWER WIRE TUBE BASE, G8 - S STYLE	1
G20199C-2	LOWER WIRE TUBE COVER, G8 - S STYLE	1
G20213	WIRE STRAIGHTENER ROLL CLIP	2
G20208D	WIRE STRAIGHTENER ROLLER UPPER, ROUND	1
G20208E	WIRE STRAIGHTENER ROLLER UPPER, FLAT	1
G50223	DOWEL PIN M3X6	2

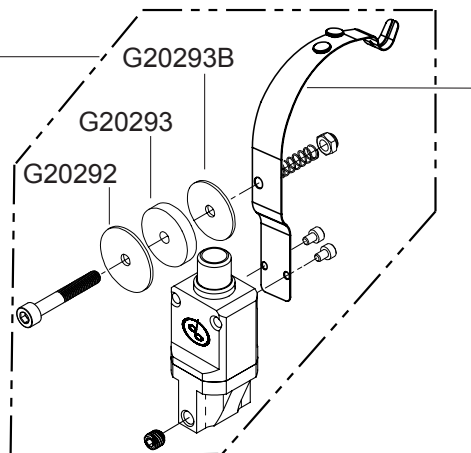
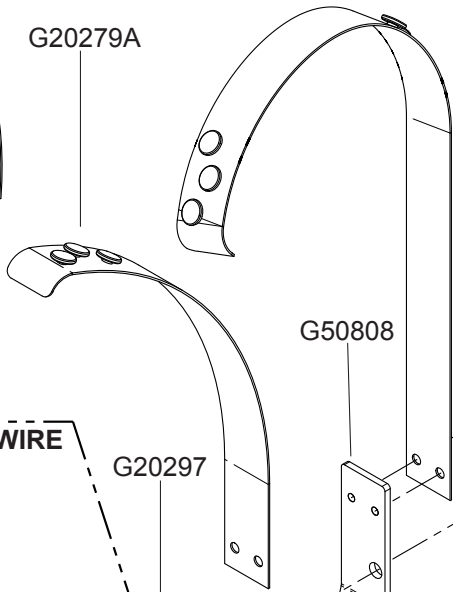
# Wire Guide Bracket, Spring and Clincher Plate Assemblies

G50286SA  
(FOR USE ON  
STITCHMASTER)

NOTE:  
GUIDE SPRING REVERSED.



G20279A



G20293B

G20293

G20292

G20241 (2)

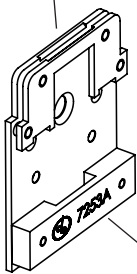
G20298

G20287

G20292

G20293 (2)

7257B ROUND WIRE  
(STANDARD)  
7024B FLAT WIRE



G20297

G50800CA

G20288 (2)

G50806

USED ON  
M MACHINE

G20292

G20293

G20293B

CA9083A (STANDARD)  
(FOR ROUND WIRE.)  
9083C (FOR FLAT WIRE.)

18184

7253A

18182

UA3216.2  
(2)

18183

18186

38

G20288  
(2)

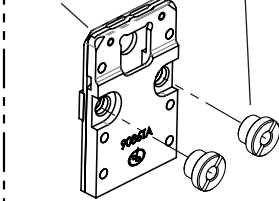
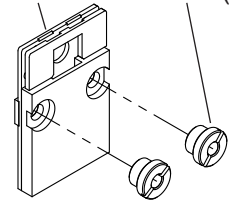
9086A (STANDARD)

FOR M2 ONLY

CT9088 (2)

9086JA G50710 (2)

9086TA G50710 (2)



OPTIONAL

OPTIONAL

9084B

CA2091 (2)

UA4808.7

9087

CT9093A (STANDARD)



## **Wire Guide Bracket, Spring and Clincher Plate Assemblies**

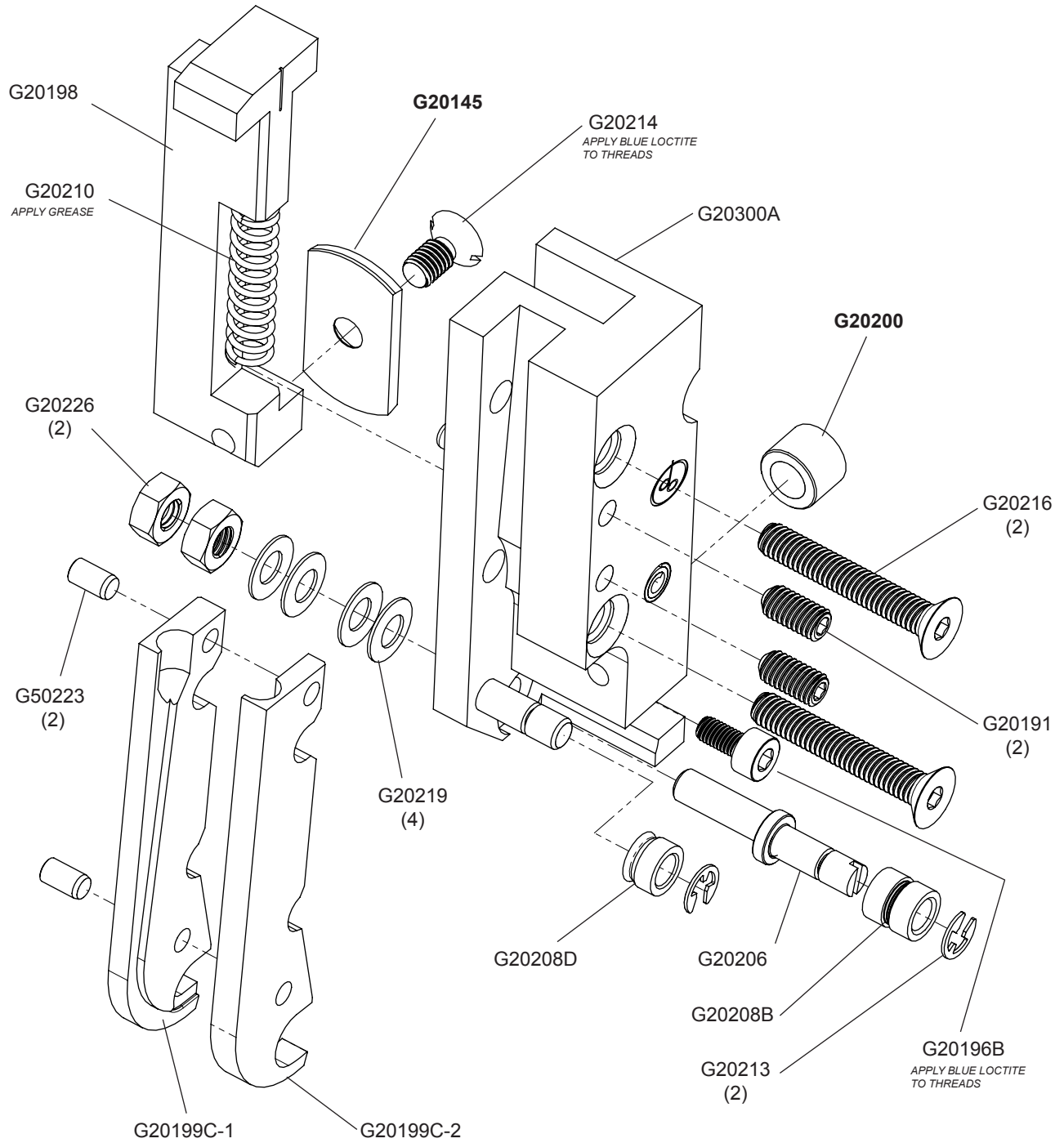
38	CLINCHER SLIDE ADJUSTMENT SCREW	1
9087	CLINCHER SLIDE ADJUSTING SCREW	1
18182	CLINCHER SLIDE	1
18183	CLINCHER SLIDE ADJUSTMENT BLOCK	1
18184	CLINCHER SLIDE BLOCK CLAMP	1
18186	CLINCHER SLIDE ADJUSTMENT SCREW	1
7024B	CLINCHER POINT - FLAT	2
7253A	CLINCHER PLATE ASSEMBLY - 1/2	1
7257B	CLINCHER POINT - ROUND (STANDARD)	2
9083C	CLINCHER POINT - 20X24, FLAT	2
9084B	ADJUSTABLE CLINCHER SLIDE	1
9086A	CLINCHER PLATE - THICK (STANDARD)	1
9086JA	CLINCHER PLATE - THICK	1
9086TA	CLINCHER PLATE, THICK	1
CA2091	CLINCHER PLATE BINDER NUT	2
CA9083A	CLINCHER POINT - (STANDARD)	2
CT9088	CLINCHER PLATE BINDER BOLT	2
CT9093A	CLINCHER SLIDE - THICK (STANDARD)	1
G20241	SCREW M4X0.7X6 SHCS	2
G20287	WIRE OILER FELT SPRING	1
G20288	SCREW, M4X.7X8 SHCS	2
G20292	WIRE OIL FELT WASHER	1
G20293	WIRE OILER FELT	2
G20293B	WIRE OILER FELT, THIN	1
G20297	SCREW, M6X1X40 SHCS	1
G20298	NYLOCK LOCK NUT, M6X1	1
G50710	CLINCHER PLATE NUT	2
G50800CA	ANTI-WIRE BACKUP UNIT	1
G50806	FELT MOUNTING BRACKET	1
G50808	WIRE SPRING GUIDE CLAMP PLATE	1
UA3216.2	CLINCHER SLIDE BLOCK SCREW	2
UA4808.7	SET SCREW, 1/4-28X1/2", SH	1

### **ONE OF THE FOLLOWING:**

G20279A	GUIDE SPRING ASSEMBLY - MEDIUM
G20286A	GUIDE SPRING ASSEMBLY - LONG
G20679A	GUIDE SPRING ASSEMBLY - SHORT
G50286SA	GUIDE SPRING ASSEMBLY - STITCHMASTER

**G20300BAA**  
Complete Assembly

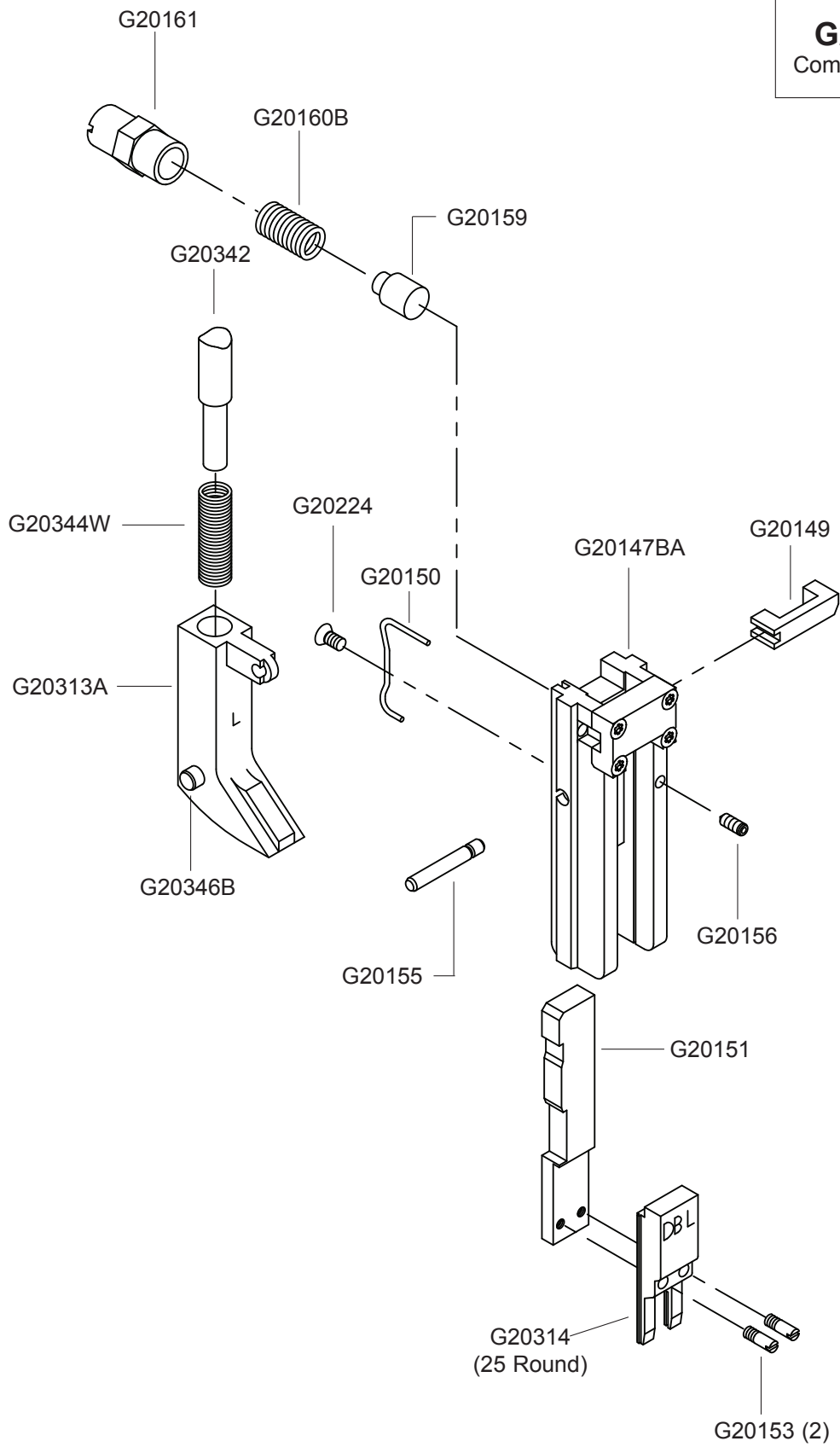
**Loop Stitch Kit**  
G8KL Loop Conversion Kit  
includes all parts shown below.



**G20300BAA Cutter Box Complete, Loop**  
**Round - 2 pc Wire Tube (24/25 rd) STANDARD**

G20145	MOVING CUTTER-RND WIRE (STANDARD)	1
G20145C	MOVING CUTTER - (CARBIDE)	
G20145F	MOVING CUTTER - (FLAT WIRE)	
G20191	SCREW, M4X.7X8 SHSS	2
G20196B	SCREW M3X.5X6 SHCS	1
G20197A	CUTTER BOX ASEMBLY	1
G20198	CUTTER OPERATING SLIDE	1
G20199C-1	LOWER WIRE TUBE BASE, G8 - S STYLE	1
G20199C-2	LOWER WIRE TUBE COVER, G8 - S STYLE	1
G20200	FIXED WIRE CUTTER (STANDARD)	1
G20200C	FIXED CUTTER - (CARBIDE)	
G20206	WIRE STRAIGHTENER ECCENTRIC	1
G20208B	WIRE STRAIGHTENER ROLLER	1
G20208D	WIRE STRAIGHTENER ROLLER, UPPER	1
G20210	CUTTER OPERATING SPRING	1
G20213	WIRE STRAIGHTENER ROLL CLIP	2
G20214	SCREW M4X0.7X8 FHMS	1
G20216	SCREW, M4X0.7X25	2
G20219	WIRE STRAIGHTENER DISC SPRING	4
G20226	HEX NUT M4X.7	2
G20212	WIRE STRAIGHTENER ROLL STUD	1
G50223	DOWEL PIN M3X6	2

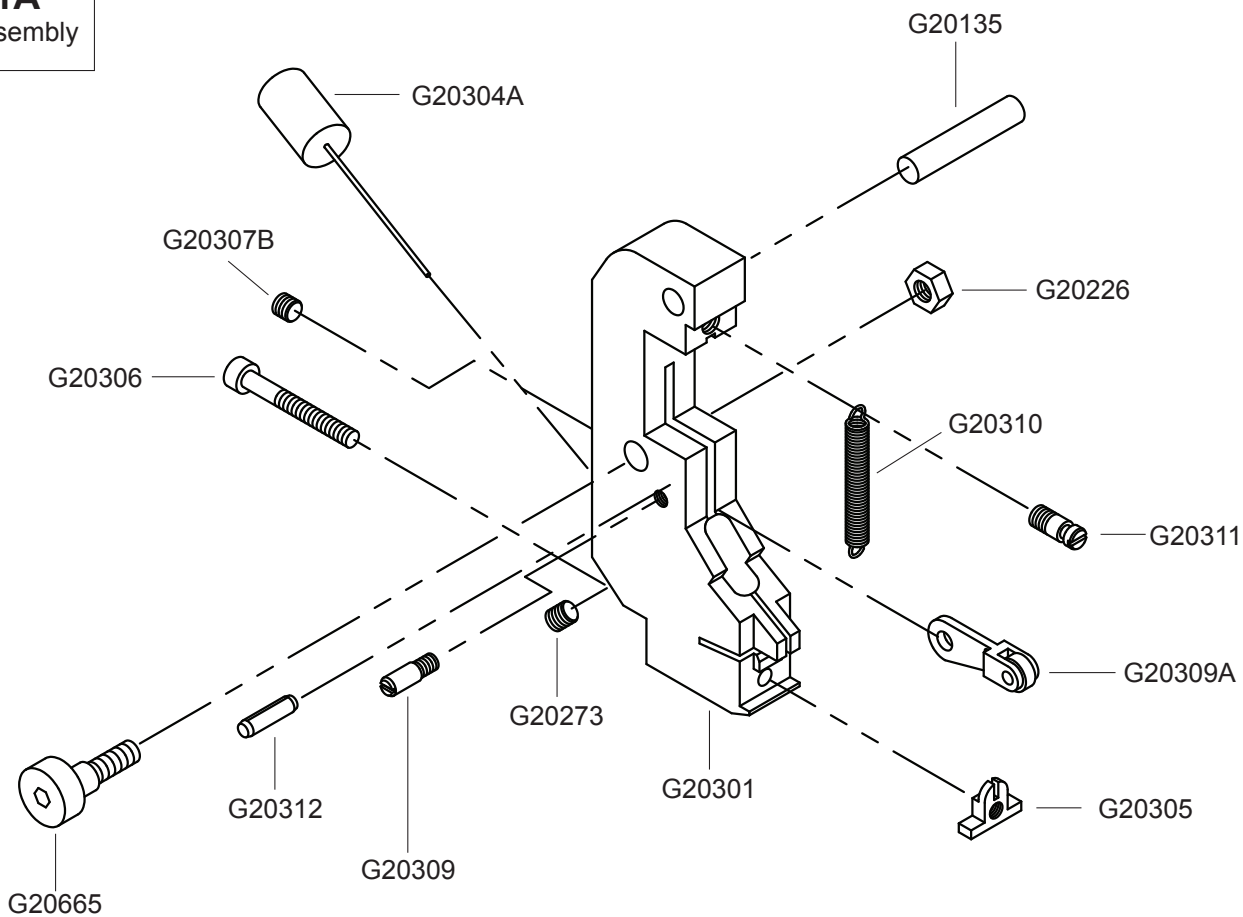
**G20317AA**  
Complete Assembly



**G20317AA****Bender/Driver Assembly, Loop**

G20147BA	BENDER BAR ASSEMBLY, 24W	1
G20149	BENDER BAR LATCH	1
G20150	BENDER BAR LATCH SPRING	1
G20151	DRIVER BAR	1
G20153	DRIVER RETAINING SCREW	2
G20155	SUPPORTER PIVOT PIN	1
G20156	SUPPORTER PIVOT PIN SCREW	1
G20159	BENDER BAR FRICTION PLUG	1
G20160B	BENDER BAR FRICTION SPRING	1
G20161	BENDER BAR FRICTION BUSHING	1
G20224	SCREW M3 X 0.5 X 6	1
G20313A	SUPPORTER ASSEMBLY - LOOP	1
G20314	DRIVER - LOOP	1
G20342	SUPPORTER SPRING PLUNGER	1
G20346B	SUPPORTER GUIDE PIN, COMPOSITE	1
G20344W	SUPPORTER SPRING - WATKISS	1

**G20301A**  
Complete Assembly



**G20301A**

**Wire Holder Assembly, Loop**

G20135	DOWEL PIN M5X24	1
G20226	HEX NUT M4X0.7	1
G20273	SCREW M4X.7X4 SHSS	1
G20310	WIRE HOLDER ROLLER LEVER SPRING	1
G20311	SPRING ANCHOR SCREW	1
G20312	SPIROL PIN M3X12	1
G20301	WIRE HOLDER, LOOP	1
G20304A	WIRE HOOK ASSEMBLY - LOOP	1
G20305	ANVIL - LOOP	1
G20306	SCREW M3X.5X25-SHC	1
G20307B	LEVER PIVOT SCREW, LOOP	1
G20309	WIRE HOLDER LEVER BLANK, LOOP	1
G20309A	WIRE HOLDER LEVER ASSEMBLY, LOOP	1
G20665	WIRE HOLDER ECCENTRIC ADJ SCREW	1

## Optional Equipment

In addition to the standard features offered with the G8 Stitcher Head, optional equipment items can be purchased to better accommodate your stitching needs. The following kits can be purchased from your Graphic Arts Representative.

### G8KC

The G8 Crank Drive Kit is available to owners of all styles of rail-driven G8 Heads who need to convert, for whatever reason, their existing G8 head to a crank-driven model. Included in this Kit are the Rear Clamp Pin, Rear Mounting Bolt, Bonnet Stud Nut, the Crank Drive Link and a complete assembly of the Link-Driven Driving Slide.

For more information about purchasing the G8KC or for technical support when making the conversion from rail-driven to crank-driven, contact your local Graphic Arts Representative.

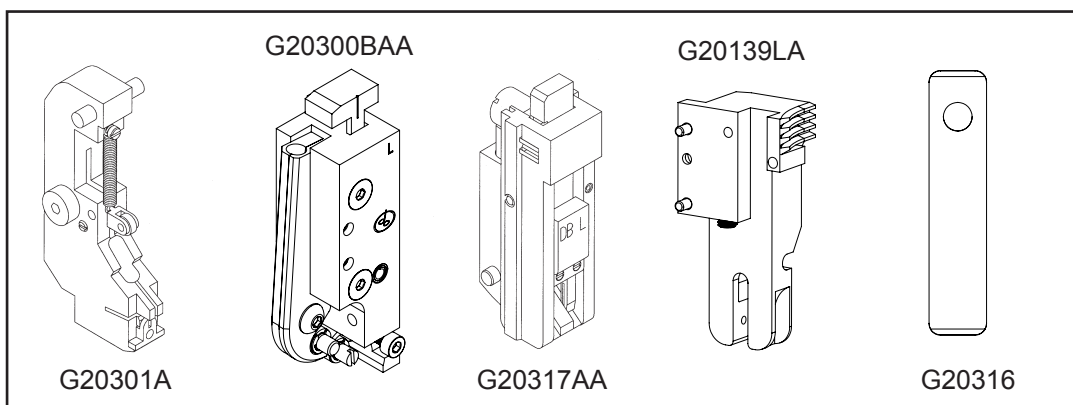
**Always disconnect the power supply before making any adjustments or servicing the head.**

**WARNING**

### G8KL-Loop Stitch Conversion Kit

The standard G8 Head with 24 gauge wire can be converted to a Loop style by exchanging the following three sub-assemblies: the Wire Holder Assembly, the Cutter Block Assembly and the Bender Bar Assembly.

Contact your DeLuxe Stitcher Graphic Arts Representative or the DeLuxe Stitcher Customer Service Department for ordering information or for additional technical information on other wire sizes available in Loop Stitch.

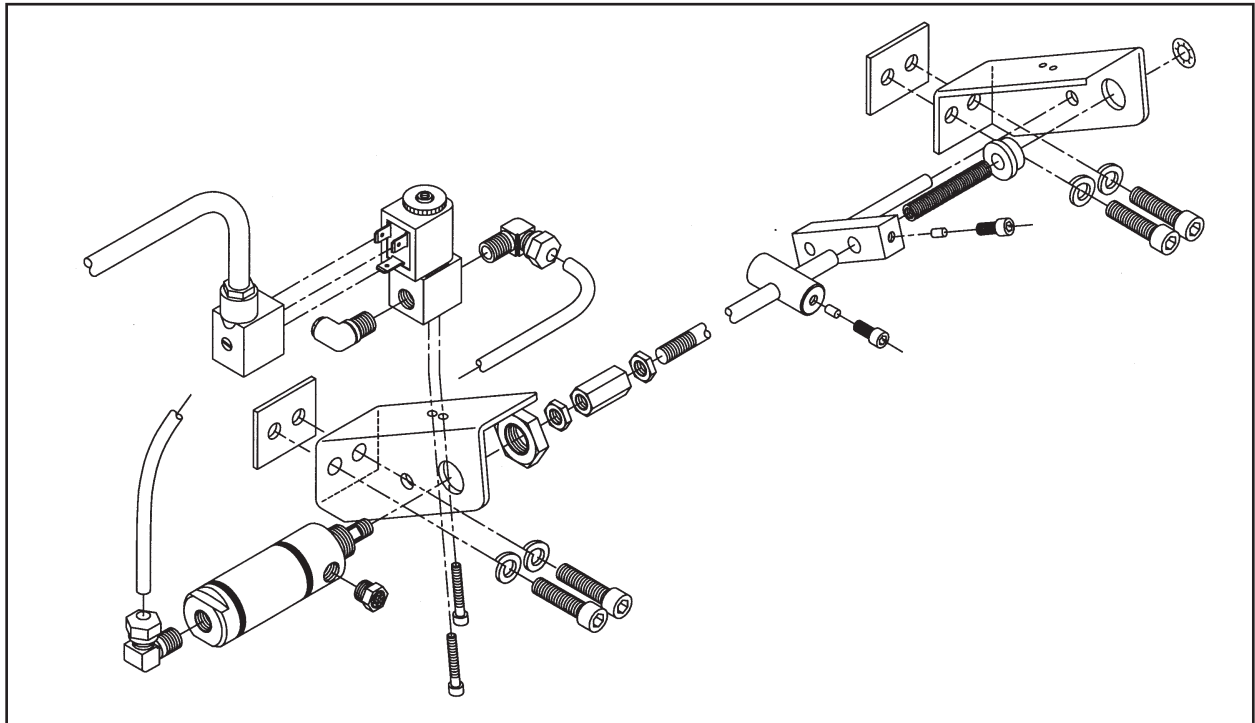


**Figure 36 - Loop Stitch Kit**

## G8KS-Stop Stitch Kit

The G8KS mounts on the Adjustment Rail of McCain Saddle Stitchers. It stops the feeding of wire through the Stitcher Heads by pushing open the Feed Release Handles (stopping the stitch) when it receives a signal from the calipers of the Stitcher.

The G8KS Stop Stitch Kit comes complete with all the components necessary for converting your existing stitcher machine, along with fully illustrated instructions. Call your Graphic Arts Representative for more information.



Always disconnect the power supply before making any adjustments or servicing the head.

**⚠ WARNING**

## G8KT-Stop Stitch Toggle Kit

The G8KT is a Stop Stitch Toggle Kit specifically designed for users of McCain Stitchers using both 26/26D and G8 Stitcher Heads.

The Electrical Box, Box Cover and Toggle Switch replace your machine's existing equipment to make switching between the two styles of Stitcher Heads easier. This Kit comes complete with a wiring diagram and replacement electrical box. For more information or technical support, contact your local Graphic Arts Representative.



## Part Number / Description Cross-Reference

			G20130	Feed Adjustment Block	1
072001	Screw M4x0.7x8	1	G20131	Feed Slide	1
071004	Lock Washer, M3	1	G20132	Feed Lever	1
18182	Clincher Slide	1	G20133A	Feed Release Spring Block Assembly	1
18183	Clincher Slide Adjustment Block	1	G20135	Dowel Pin M5x24	1
18184	Clincher Slide Block Clamp	1	G20136BA	Feed Gear Bracket Assembly	1
18186	Clincher Slide Adjustment Screw	1	G20137	Roller Clutch Bearing	1
CA2091	Clincher Plate Binder Nut	2	G20138	Feed Pinion Bearing	2
38	Clincher Slide Adjustment Screw	1	G20139	Pivot Block Insert	1
7024B	Clincher Point - Flat	2	G20139LA	Pivot Block Assembly, G8 Loop	Optional
7253A	Clincher Plate Assembly - 1/2	1	G20140	Follower Ball Bearing	1
7257B	Clincher Point - Round	2	G20143	Cutter Block Adjustment Rack	1
9002	Bonnet Clamp Block	1	G20144A	Middle Wire Tube Assembly	1
CA9083A	Clincher Point - Thick, Round	2	G20145	Moving Cutter - Round Wire	1
9083C	Clincher Point - 20x24, Flat	2	G20145C	Moving Cutter - Carbide	1
9084B	Adjustable Clincher Slide	1	G20145F	Moving Cutter - Flat Wire	1
9086A	Clincher Plate - Thick	1	G20147BA	Bender Bar Assembly, 24W	1
9086JA	Clincher Plate - Thick	1	G20148B	Latch Housing, Removable	1
9087	Clincher Slide Adjusting Screw	1	G20149	Bender Bar Latch	1
CT9088	Clincher Plate Binder Bolt	2	G20150	Bender Bar Latch Spring	1
CT9093A	Clincher Slide - Thick	1	G20151	Driver Bar	1
G20000A	Bonnet Assembly - G8	1	G20152	Driver, 24W	1
G20110A	Large Feed Gear Assembly	1	G20153	Driver Retaining Screw	2
G20111A	Feed Pinion Assembly	1	G20154A	Supporter Assembly	1
G20112	Small Feed Gear	1	G20155	Supporter Pivot Pin	1
G20113	Supporter Guide Plate	2	G20156	Supporter Pivot Pin Screw	1
G20114	Feed Pinion Shaft	1	G20159	Bender Bar Friction Plug	1
G20115	Latch Release Cam	1	G20160B	Bender Bar Friction Spring	1
G20118	Feed Release Handle Cam	1	G20161	Bender Bar Friction Bushing	1
G20119	Feed Release Handle	1	G20162	Driving Slide	1
G20121	Feed Release Plunger	1	G20162BA	Driving Slide Assembly Eccentric	1
G20122A	Feed Slide Retaining Screw Asy	2	G20163A	Cutter Operating Ramp Assembly	1
G20124	Bonnet Clamp Eccentric	1	G20164B	Driver Slide Plunger Eccentric	1
G20126	Tube Pivot Plate	1	G20165	Driving Slide Spring	1
G20127	Feed Rack	1	G20167	Screw, M4x.7x10 FHCS	4
G20128	Large Feed Gear Washer	1	G20169B	Driving Slide Plunger Screw Ecc	1
G20129	Small Feed Gear Washer	1	G20170	Hex Jam Nut M8x1.25	1

G20171	Screw M8x1.25x12	1	G20216	Screw M4x.7x25 SFHS	2
G20173	Feed Rack Knob - Knurled	1	G20217	Spirol Pin M5x12	1
G20174	Feed Rack Adjustment Stud	1	G20219	Wire Straightener Disc Spring	4
G20175	Screw M4x.7x6 SHCS	3	G20220	Hex Nut M5x.8	1
G20176	Screw M4x.7x12 SHCS Low Head	2	G20223	Dowel Pin 1/8x1/4	1
G20177	Feed Rack Adj Knob Pointer	1	G20224	Bender Bar Latch Spring Screw	1
G20179	Screw M3x.5x4, SHCS	1	G20226	Hex Nut M4x.7	2
G20180	Flat Washer M6	1	G20228A	Adjustment Handle Assembly	1
G20181	Upper Wire Tube	1	G20229	Set Screw M6x1x12	2
G20182	Feed Gear Shaft Plate	1	G20230A	Cutter Operating Lever Assembly	1
G20183	Wire Holder Retaining Spring - Long	1	G20231	Cutter Operating Lever Pivot Pin	1
G20184	Wire Holder Retaining Spring Foot	1	G20232	Cutter Operating Lever Roll Pin	1
G20186	Feed Gear Friction Spring	1	G20233	Cutter Operating Lever Roller	1
G20187	Feed Gear Friction Strip	1	G20234	E-Ring- 3/16"	1
G20188	Dowel Pin, 1/8"x3/8"	4	G20235	Follower Bearing Shaft	1
G20189	Screw M3x.5x20	3	G20236	Tube Pivot Screw	1
G20190	Screw M3x.5x10- FHMS- Slotted	4	G20237B	Cutter Block Adjustment Stud	1
G20191	Screw, M4x.7x8 SHSS	5	G20240	Cutter Block Adjustment Washer	2
G20195	Set Screw M6x1x8	2	G20241	Screw M4x0.7x6 SHCS	4
G20196	Screw M3x.5x6 SHCS	8	G20242	Cutter Adjustment Bar - Lower	1
G20197A	Cutter Block Assembly	1	G20243	Dowel Pin 1/4x9/16	1
G20198	Cutter Operating Slide	1	G20244	Tube Pivot Clip	1
G20199A	Lower Wire Tube Assembly	1	G20245	Cutter Adjustment Bar - Upper	1
G20199C-1	Lower Wire Tube Base	1	G20246	Cutter Block Adjustment Connect	1
G20199C-2	Lower Wire Tube Cover	1	G20249	Cutter Block Washer	2
G20200	Fixed Wire Cutter	1	G20250	Screw M4x.7x14	2
G20202	Cutter Block Slide Plate	1	G20251	Cutter Adjustment Bar - Upper	1
G20204	Upper Cutter Block Guide	1	G20252	Wire Hook	1
G20206	Wire Straightener Eccentric	1	G20253	Wire Hook Spring	1
G20208B	Wire Straightener Roller	2	G20254	Wire Hook Spring Screw	1
G20208D	Wire Straightener Roller Upper, Rd Wire	2	G20256	Cutter Block Scale	1
G20210	Cutter Operating Spring	1	G20261B	Wire Holder Spring Stud	1
G20211	Cutter Wire Shield	1	G20262A	Feed Lever Pin Assembly	2
G20212	Wire Straightener Roll Stud	1	G20263	Feed Lever E-Ring	2
G20213	Wire Straightener Roll Clip	2	G20264	Screw M5x.8x5 SHCS	5
G20214	Screw M4x0.7x8 FHMS	5	G20266	Follower Bearing Pin	1

G20267	Feed Lever Bushing	1	G20344B	Supporter Spring - Heavy	1
G20268	Feed Lever Spring	1	G20346	Supporter Guide Pin	1
G20269	Spirol Pin 3/16x5/8	1	G20347BA	Bender Bar Assembly,21x25	1
G20273	Screw M4x.7x4 SHSS	2	G20352	Driver, 21x25W	1
G20274	Hex Jam Nut, M6x1	1	G20353	Driver, 20x24W	1
G20275	Ball Spring Plunger	1	G20357BA	Bender Bar Assembly, 23W	1
G20279A	Wire Guide Spring Assembly - Medium	1	G20358	Driver, 23W	1
G20286A	Wire Guide Spring Assembly - Long	1	G20360	Hex Key Wrench 3.0mm	1
G20287	Wire Oiler Felt Spring	1	G20361	Hex Key Wrench 2.5mm	1
G20288	Screw, M4x.7x8 SHCS	4	G20362	Clamp Wrench 5.0mm	1
G20289	Screw M4x.7x16	2	G20364	Open End Wrench	1
G20292	Wire Oil Felt Washer	1	G20366	Rear Clamp Pin	1
G20293	Wire Oiler Felt	1	G20367	Rear Mounting Bolt	1
G20297	Screw, M6x1x40 SHCS	1	G20368	Feed Release Handle Cap	1
G20298	Nylock Lock Nut, M6x1	1	G20371	Feed Release Handle	1
G20300A	Cutter Block Assembly - Loop	1	G20372	Feed Release Shaft	1
G20301A	Wire Holder Assembly - Loop	1	G20374	Hex Key Wrench 2.0mm	1
G20304A	Wire Hook Assembly - Loop	1	G20377B	Bender Bar, 20x24W	1
G20305	Anvil - Loop	1	G20433	Screw, M2.5x.45x12	4
G20306	Screw M3x.5x25-SHC	1	G20541B	Wire Guide Bar Left	2
G20307	Lever Pivot Pin	1	G20559BA	Wire Holder Assembly 1/2	1
G20309A	Wire Holder Lever Assembly - Loop	1	G20579	Screw, M4x0.7x6-FHM-Slotted	2
G20310	Wire Holder Roller Lever Spring	1	G20600C	Fixed Cutter - Carbide	1
G20311	Spring Anchor Screw	1	G20617	Washer M6	1
G20312	Spirol Pin M3x12	1	G20665	Wire Holder Eccentric Adj Screw	1
G20313A	Supporter Assembly - Loop	1	G20679A	Wire Guide Spring Assembly-Short	1
G20314	Driver - Loop	1	G50268	Feed Lever Spring, G5	1
G20316	Wire Holder Retaining Spring - Short	1	G50286SA	Wire Guide Spring Assembly-Short	1
G20320	Driving Slide - Crank Drive	1	G50394	Flat Washer - M8	1
G20320A	Driving Slide Assembly	1	G50710	Clincher Plate Nut	2
G20321	Crank Link Screw	1	G50716	Mounting Block Handle	1
G20323A	Cutter Operating Ramp Assembly	1	G50800CA	Anti-Wire Backup Unit	1
G20340	Crank Drive Link	1	G50808	Wire Spring Guide Clamp Plate	1
G20341	Rear Mounting Bolt	1	HN1213	Bonnet Stud Nut	1
G20342	Supporter Spring Plunger	1	UA3216.2	Clincher Slide Block Screw	2
G20344	Supporter Spring	1	UA4808.7	Set Screw, 1/4-28x1/2", SH	1

**NOTES:**

# REGISTRATION

To better service your wire stitching needs, please take a moment to fill out and return this registration card.

Name : \_\_\_\_\_ ( First ) \_\_\_\_\_ ( Middle Initial ) \_\_\_\_\_ ( Last )

Company : \_\_\_\_\_

Street Address : \_\_\_\_\_

City : \_\_\_\_\_ State/Province : \_\_\_\_\_ Zip : \_\_\_\_\_

Country : \_\_\_\_\_

Phone : \_\_\_\_\_ Fax : \_\_\_\_\_ E-mail : \_\_\_\_\_

CUSTOMER

Machine(s) Purchased : \_\_\_\_\_

Serial Number(s) : \_\_\_\_\_

With Head(s) : \_\_\_\_\_ ( Type/Quantity Purchased )

Serial Number(s) : \_\_\_\_\_

Head(s) Purchased : \_\_\_\_\_

Serial Number(s) : \_\_\_\_\_

PRODUCT

Date Received : \_\_\_\_\_

Dealer Name : \_\_\_\_\_

Dealer Street Address : \_\_\_\_\_

City : \_\_\_\_\_ State/Province : \_\_\_\_\_ Zip : \_\_\_\_\_

Country : \_\_\_\_\_

Dealer Phone : \_\_\_\_\_

DEALER

Other Bindery Products Used : \_\_\_\_\_

Please take a moment to fill out the attached card and mail it to Deluxe Stitcher Company, Inc. In addition, duplicate the information for your records to assist when making further inquiries.

## PRODUCT

Machine(s) Purchased : \_\_\_\_\_

Serial Number(s) : \_\_\_\_\_

With Head(s) : \_\_\_\_\_ ( Type/Quantity Purchased )

Serial Number(s) : \_\_\_\_\_

Head(s) Purchased : \_\_\_\_\_

Serial Number(s) : \_\_\_\_\_

## DELUXE STITCHER GRAPHIC ARTS REPRESENTATIVE

Date Received : \_\_\_\_\_

Dealer Name : \_\_\_\_\_

Dealer Street Address : \_\_\_\_\_

City : \_\_\_\_\_ State/Province : \_\_\_\_\_ Zip : \_\_\_\_\_

Country : \_\_\_\_\_

Dealer Phone : \_\_\_\_\_

Would you like information sent to you about new products that would benefit your company?  Yes  No

## Common Replacement Parts for 1/2" Crown

Below is a list of the most common wear/replacement parts for the G8 Stitcher Head. This guide should help you when ordering replacement parts. If the part you need is not listed below, please refer to the more detailed parts list on pages 38-40 in this manual.

Description	Item Number
Clincher Point - Thick, Round	CA9083A
Latch Release Cam	G20115
Feed Slide Retain Screw Asy	G20122A
Follower Ball Bearing	G20140
Moving Wire Cutter	G20145
Bender Bar Latch	G20149
Bender Bar Latch Spring	G20150
Driver Bar	G20151
Driver, 24W	G20152
Driver Retaining Screw	G20153
Bender Bar Friction Plug	G20159
Bender Bar Friction Spring	G20160B
Wire Holder Retaining Spring Foot	G20184
Feed Gear Friction Strip	G20187
Fixed Wire Cutter	G20200
Wire Hook	G20252
Lever Pivot Pin	G20307

PLACE  
STAMP  
HERE

**DELUXE STITCHER**  
COMPANY INC.  
3747 N. Acorn Lane  
Franklin Park, IL 60131U.S.A.  
Attn: Customer Service

\* You can purchase the G8RPK which includes these and other common replacement parts.

# LIMITED WARRANTY

DeLuxe Stitcher Company warrants to the original retail purchaser that this product is free from defects in material and workmanship and agrees to repair or replace, at DeLuxe Stitcher's option, any defective product within 90 days from the date of purchase. This warranty is not transferable. It covers damage resulting only from defects in material or workmanship and does not cover conditions or malfunctions resulting from normal wear, neglect, abuse or accident.

This warranty is in lieu of all other express warranties. Any warranty of merchantability or fitness for a particular purpose is limited to the duration of this warranty. DeLuxe Stitcher shall not be liable for any incidental or consequential damages.

Some states do not allow limitations on how long an implied warranty lasts, or the exclusion or limitation of incidental or consequential damages, so the above limitations or exclusions may not apply to you. This warranty gives you specific legal rights and you may also have other rights which vary from state to state.

To obtain warranty service you must return the product, at your expense, together with proof of purchase to an authorized DeLuxe Stitcher Company Graphic Arts Dealer.



3747 Acorn Lane • Franklin Park • Illinois 60131

Phone: 847-455-4400 • 800-634-0810

Fax: 847-455-4900 • 800-417-9251

<http://www.deluxestitcher.com>

DBSG8\_0620