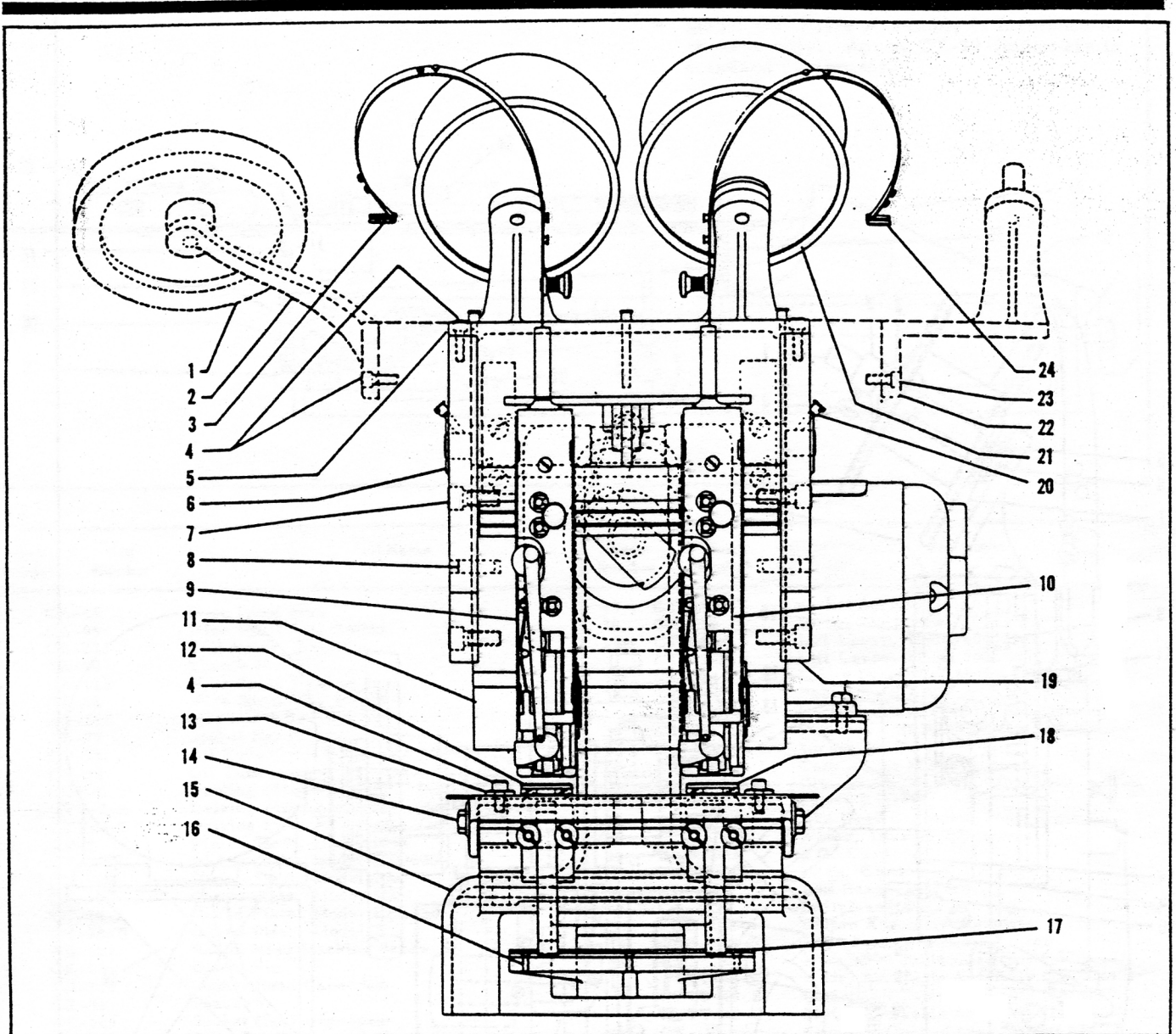
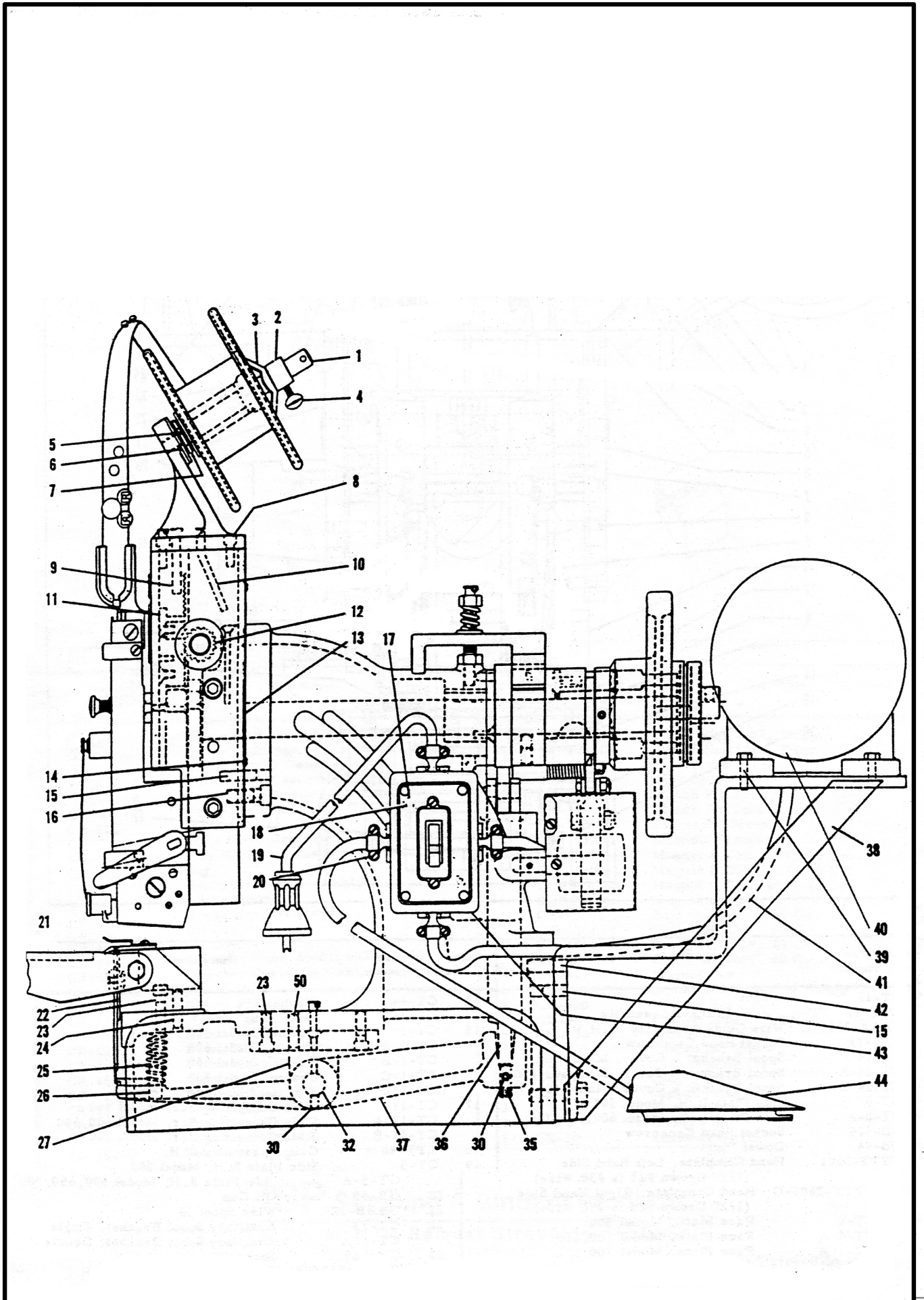


# MODELS 500, 600, 650, AND 700 STITCHING MACHINES



Index Number	Part Number	Part Name	Index Number	Part Number	Part Name
1	CT-12	Sheave	13	CT-44	Washer
2	CTT-11	Sheave Bracket Assembly	14	CB-35	Hex. Head Capscrew
3	CAAA-2133-L	Wire Guide Assembly (L. H.)	15	CT-1	Frame, Model 500
4	CB-77A	Socket Head Capscrew		CT-1-A	Frame, Model 600
5	CT-14	Spool Bracket & Cover, Model 500		CT-1-B	Frame, Model 650
	CT-14-A	Spool Bracket & Cover, Mod. 600, 650		CT-1-C	Frame, Model 700
	CT-14-B	Spool Bracket & Cover, Model 700	16	CB-352	Flat Head Machine Screw
6	CT-6	Side Plate L. H. Model 500	17	CT-17	Slide Connecting Bar, Model 500
	CT-6-A	Side Plate L. H. Model 600, 650, 700		CT-17-A	Slide Connecting Bar, Model 600, 650
7	CB-314	Socket Head Capscrew		CT-17-B	Slide Connecting Bar, Model 700
8	CB-94	Dowel Pin	18	CTT-40	Gauge Assembly R. H.
9	CTTT-2601	Head Complete, Left Hand Side (1/2" Crown #25 to #30 Wire)	19	CT-5	Side Plate R. H. Model 500
10	CTTT-2601-G	Head Complete, Right Hand Side (1/2" Crown #25 to #30 Wire)		CT-5-A	Side Plate R. H. Model 600, 650, 700
11	CT-4	Face Plate, Model 500	20	CB-45	Oil Cup
	CT-4-A	Face Plate, Model 600, 650	21	CBBB-22	Wire Spool 5#
	CT-4-B	Face Plate, Model 700	22	CT-13	Auxiliary Spool Bracket, Single
12	CTT-41	Gauge Assembly L. H.		CT-13A	Auxiliary Spool Bracket, Double
			23	CB-629	Socket Head Capscrew
			24	CAAA-2133-R	Wire Guide Assembly (R. H.)

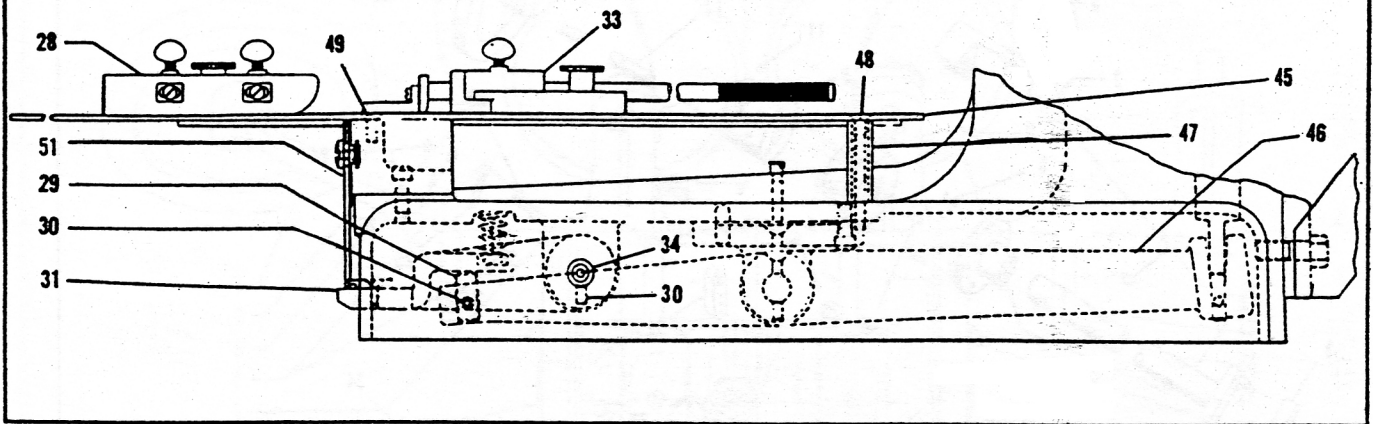
500, 600, 650, AND 700 STITCHING MACHINES





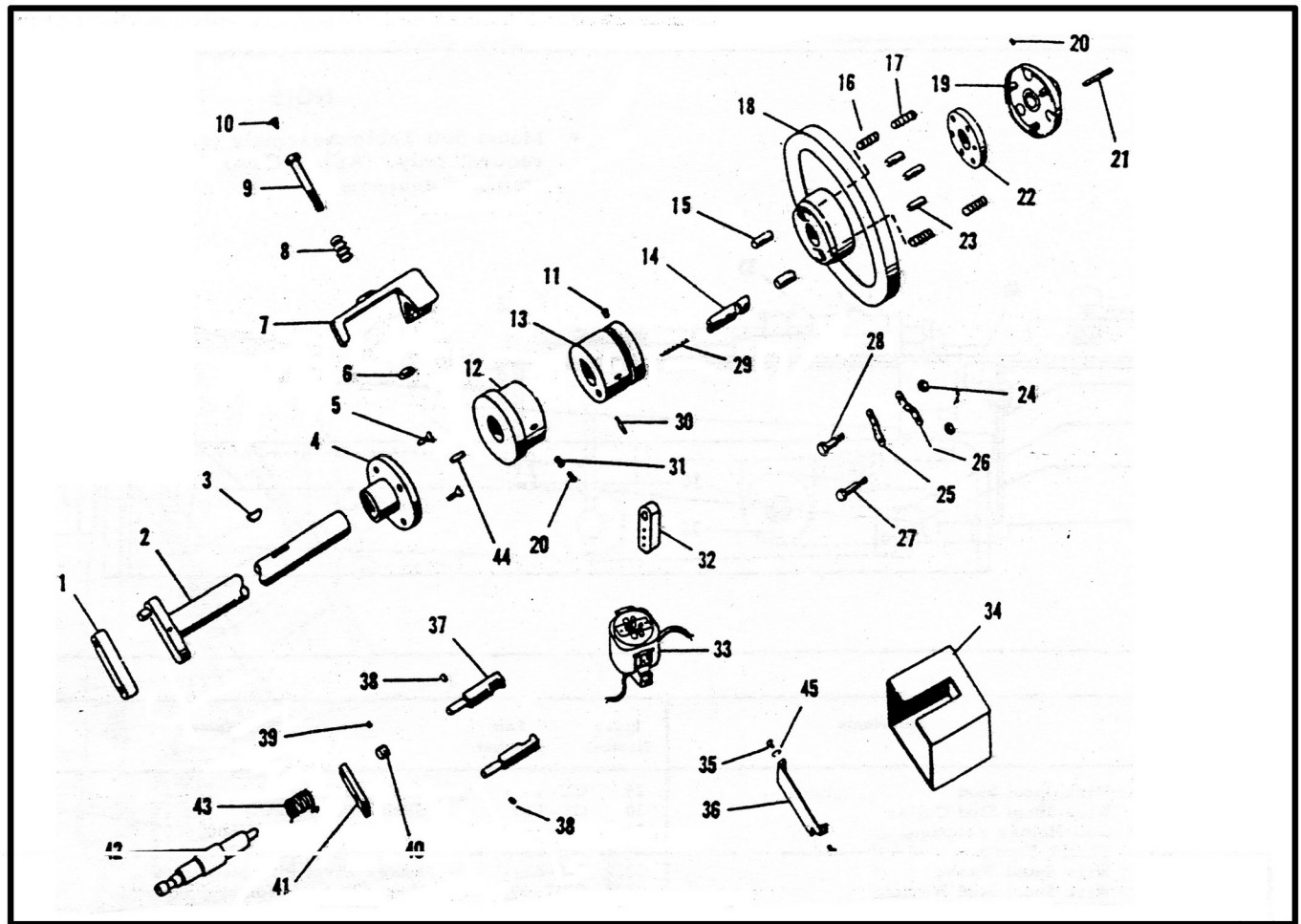
**NOTE**

\* Model 500 Table Assembly is furnished on request only. Apron CT-39 (Index 21) is standard equipment.



Index Number	Part Number	Part Name	Index Number	Part Number	Part Name
1	CA-45	Wire Spool Stud	29	CT-38	Socket Set Screw
2	CA-95	Wire Spool Stud Collar	30	CB-138	Socket Set Screw
3	CB-221	Coil Holder Friction	31	CT-18-A	Lift Lever, Model 600, 650
4	CA-54	Thumb Screw		CT-18-B	Lift Lever, Model 700
5	CA-113	Wire Spool Washer	32	CT-22	Lever Pivot Pin, Model 500
6	CA-46	Wire Spool Stud Washer	33	CTT-49	Back Gauge Assembly, Model 600
7	CA-114	Wire Spool Bearing		CTT-49-A	Back Gauge Assembly, Model 650, 700
8	CB-77	Socket Head Capscrew	34	CT-20	Clincher Lift Pivot Pin, Model 600, 650
9	CT-34	Oil Tube	35	CB-428	Socket Set Screw
10	CT-35	Oil Tube	36	CTT-25	Cam Roller Shaft Assembly
11	CTT-8	Driving Plate Assembly, Model 500	37	CT-18	Clincher Lift Lever, Model 500
	CTT-8-A	Driving Plate Assembly, Model 600, 650	38	CT-2-E	Motor Bracket
	CTT-8-B	Driving Plate Assembly, Model 700	39	CB-174-A	Hex Head Capscrew
12	CT-7	Pinion Shaft, Model 500	40	CT-3	Motor, Give Specifications
	CT-7-A	Pinion Shaft, Model 600, 650	41	CB-283-A	2 ft. Cord
	CT-7-B	Pinion Shaft, Model 700		CB-283-C	20 in. Cord
13	CT-10	Guard Plate, Model 500	42	CB-197	Hex Head Capscrew
	CT-10-A	Guard Plate, Model 600, 650	43	CB-285	Switch and Box
	CT-10-B	Guard Plate, Model 700	44	CBB-285-A	Switch Assembly Complete
14	CB-401	Round Head Machine Screw	44	CBB-502-C	Foot Treadle with 8 ft. Cord
15	CB-94	Dowel Pin	45*	CTTT-48	Model 500 Table Assembly (18" x 18")
16	CB-314	Socket Head Capscrew		CTTT-48-A	Model 600 Table Assembly (24" x 24")
17	CR-91	Spacer		CTTT-48-B	Model 650 Table Assembly (36" x 40")
18	CB-629	Socket Head Capscrew		CTTT-48-C	Model 700 Table Assembly (36" x 40")
19	CB-283	8 ft. Cord	46	CT-19	Clincher Oper. Lever, Model 600
20	CB-429	Cord Grip		CT-19-A	Oper. Lever, Model 650, 700
21	CT-39	Apron	47	CT-57	Table Spacer
22	CT-16	Clincher Plate Block, Model 500	48	CT-58	Table Rear Screw
	CT-16-A	Plate Block, Model 600, 650	49	CB-132	Table Front Screw
	CT-16-B	Plate Block, Model 700	50	CB-118	Dowel Pin
23	CB-53	Socket Head Capscrew	51	CTTT-9086-A	Clincher Plate Assembly
24	CB-196	Dowel Pin		INCLUDES:	
25	CR-83	Spring		CTT-9086-A	Cl. Pl. Sub-Assembly
26	CR-96	Spring Pin		CA-9083-A	Clincher Point
27	CT-21	Lift Lever Bracket, Model 500		CT-9093-A	Clincher Slide
	CT-21-A	Lever Bracket, Model 600, 650, 700		CA-2091	Binder Nut
28	CTT-50	Side Gauge Assembly, Model 600, 650, 700		CT-9088	Binder Bolt

# 500, 600, 650, AND 700 STITCHING MACHINES



Index Number	Part Number	Part Name	Index Number	Part Number	Part Name
1	CT-30	Drive Link, Model 500, 600, 650	25	CB-448-C	Connecting Link, Front
	CT-30-A	Drive Link, Model 700	26	CB-448-C	Connecting Link, Rear
2	CTT-15	Drive Shaft Assembly, Model 500	27	CB-450-A	Link Screw
	CTT-15-A	Drive Shaft Assembly, Model 600	28	CB-449-A	Link Screw
	CTT-15-B	Drive Shaft Assembly, Model 650	29	CB-128	Clutch Pin Spring
	CTT-15-C	Drive Shaft Assembly, Model 700	30	CB-127	Clutch Pin Guide Screw
3	CB-286	Woodruff Key	31	CB-596	Socket Set Screw
4	CB-9	Main Drive Bearing	32	CB-453A-1	Solenoid Plunger
5	CB-132	Flat Head Machine Screw	33	CBBB-456-1	Magnet & Coil 110V, 60 Cy.
6	CB-125	Nut		CBBB-456A-1	Magnet & Coil 220V, 60 Cy.
7	CBB-10	Brake Bracket Assembly		CBBB-456B-1	Magnet & Coil 110V, 25 Cy.
8	CB-200	Brake Spring		CBBB-456C-1	Magnet & Coil 440V, 60 Cy.
9	CB-219	Brake Bracket Screw		CB-456-1	Coil Only 110V, 60 Cy.
10	CB-45	Oil Cup		CB-456A-1	Coil Only 220V, 60 Cy.
11	CB-45-A	Oil Cup		CB-456B-1	Coil Only 110V, 25 Cy.
12	CT-45	Clincher Cam, Model 600, 650, 700		CB-456C-1	Coil Only 440V, 60 Cy.
	CT-45-B	Clincher Operating Cam, Model 500	34	CB-447	Magnet Box
13	CB-129	Clutch Hub	35	CB-287	Round Head Machine Screw
14	CR-29	Clutch Pin	36	CB-440	Magnet Box Brace Plate
15	CB-131	Drive Pin	37	CB-454-A	Magnet Support Stud
16	CR-129-A	Drive Pin Set Screw	38	CB-138	Socket Set Screw
17	CR-129	Drive Pin Set Screw (lock)	39	CT-349	Slotted Set Screw
18	CR-3	Drive Wheel	40	CB-434	Trip Stud Collar
19	CR-46-A	Coupling	41	CR-38	Clutch Plate
20	CB-1270	Socket Set Screw	42	CR-37	Clutch Plate Spring Stud
21	CR-95	Coupling Drive Key	43	CR-36	Clutch Plate Spring
22	CR-45	Coupling Insert	44	CB-284	Dowel Pin
23	CR-96	Coupling Drive Pin	45	CK-50	Lockwasher (2)
24	CB-860-D	Nut			



**DeLuxe STITCHER**

COMPANY INC.

**ISP** Stitching & Bindery Products

FORM 1132-2 R9-82

3747 Acorn Lane • Franklin Park • Illinois 60131

Phone: 847-455-4400 • 800-634-0810

Fax: 847-455-4900 • 800-417-9251

<https://www.deluxestitcher.com>

Printed in U. S. A.