

ISP Stitching & Bindery Products

Manual
Supplement

Supplement

Updated pages
for

**220V BookletMaker
QF96A Manual**

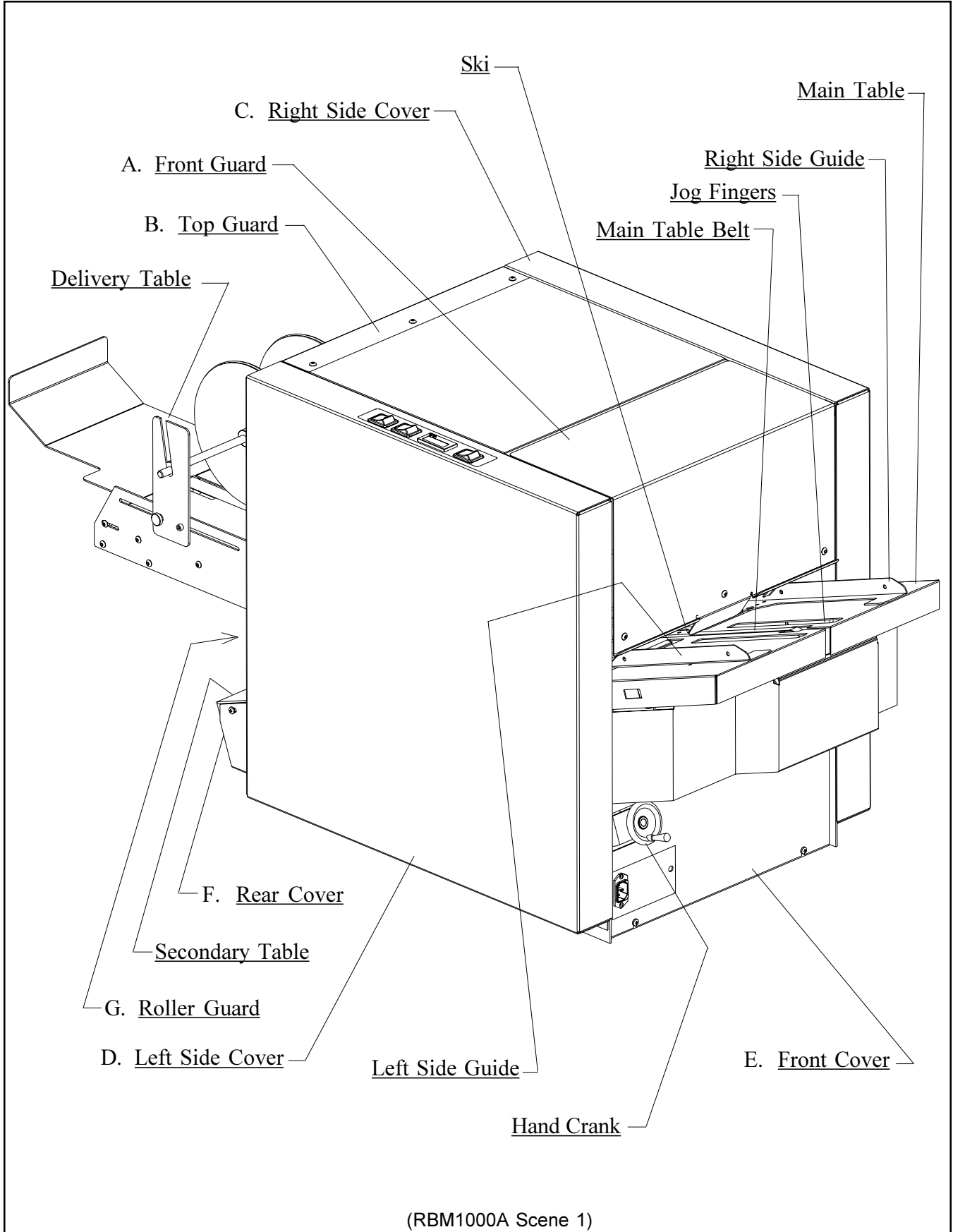
BookletMakers serial number 2190 and higher

Model B2000

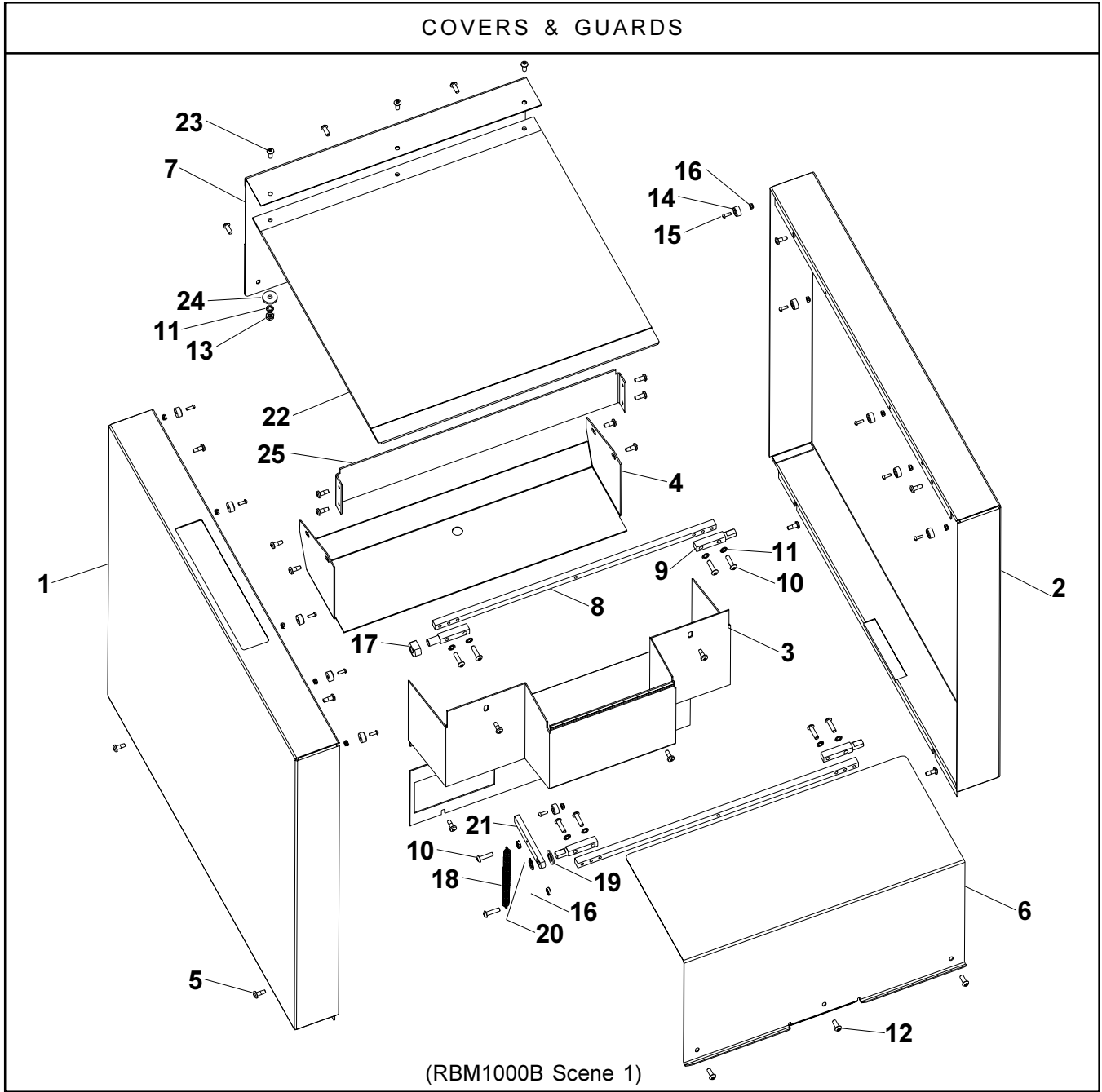
CONTENTS

Assembly Drawing	5
Exploded Drawings & Parts Lists	16
.....	17
.....	18
.....	19
.....	24
.....	25
.....	26
.....	27
.....	28
.....	29
.....	32
Electrical Schematic	33
Activated Clinch (Optional)	36

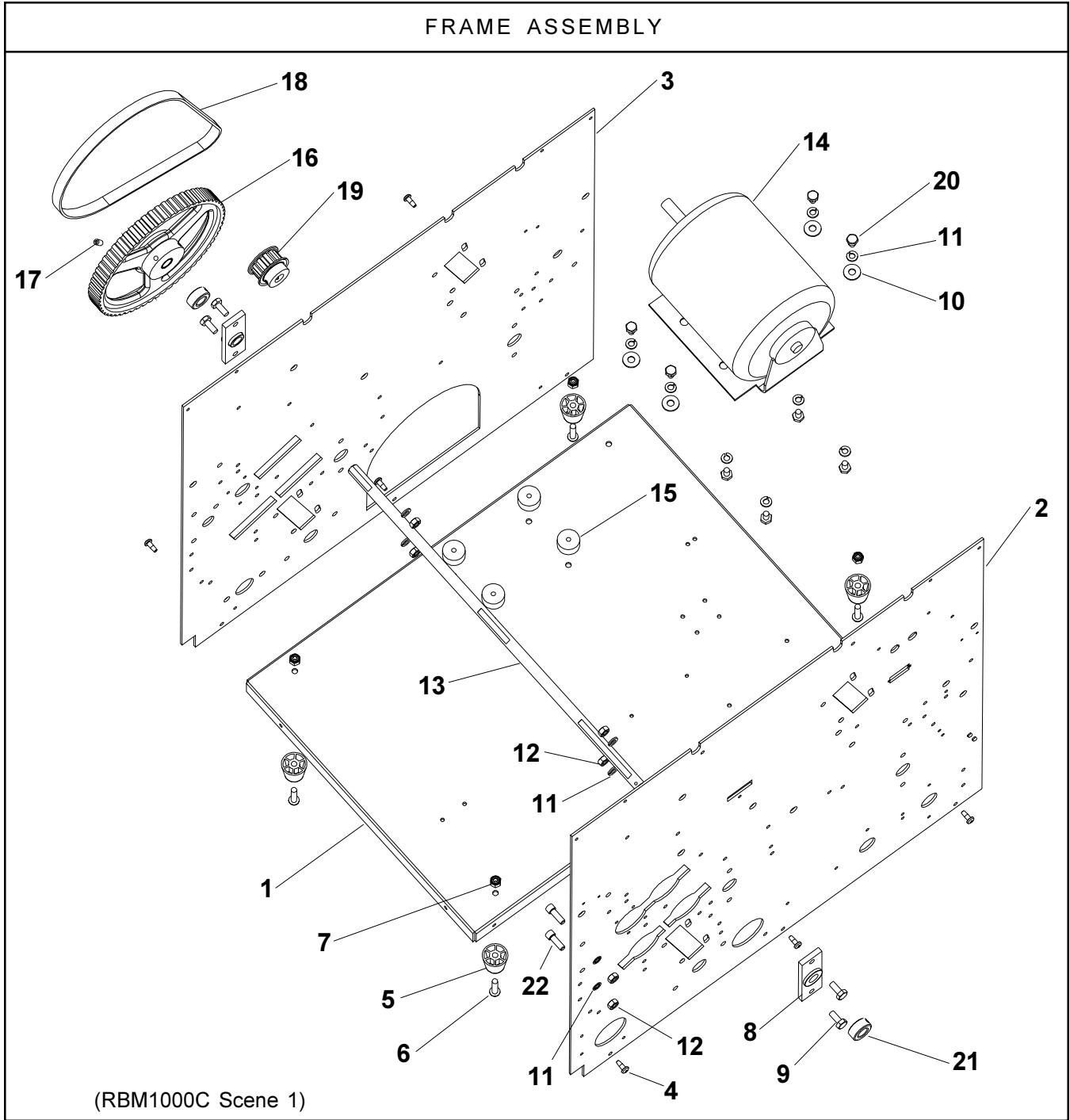
ASSEMBLY DRAWING



Stitch'n Fold



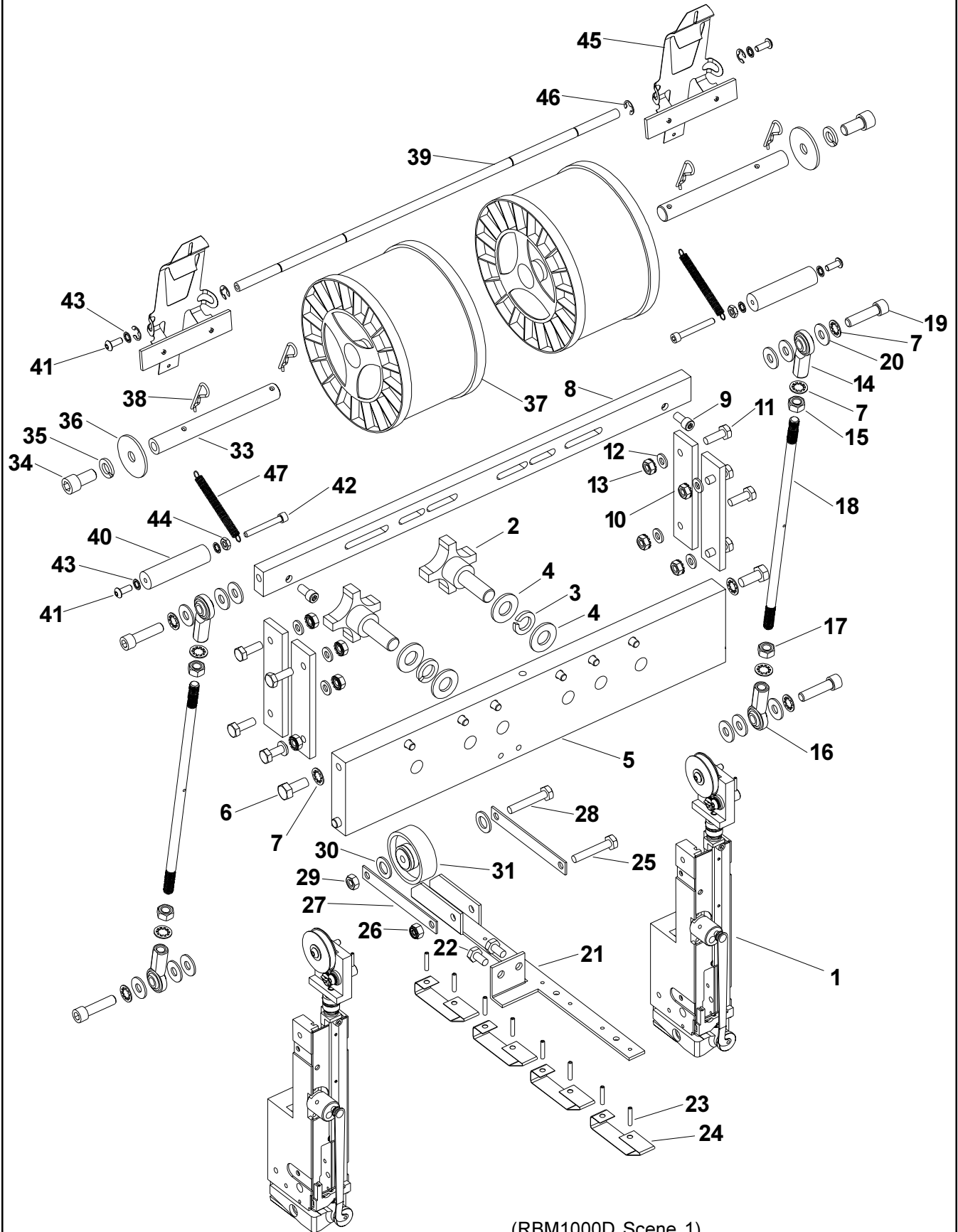
Index Number	Part Number	Part Name	Number Required	Index Number	Part Number	Part Name	Number Required
1	RBM1575F	LH Cover	1	14	RBM1316F	Rubber Bumper	11
2	RBM1574F	RH Cover	1	15	D27396F	Round Hd Scr 5-40 x 3/8	11
3	RBM1697F	Front Cover	1	16	D27398F	Elastic Lock Nut #5-40	11
4	RBM1676A	Back Cover	1	17	RBM1686F	Interlock Cam	1
5	RBM1324F	Pan Hd Scr 10-32 x 1/2	20	18	RBM1694F	Extension Spring	1
6	RBM1602F	Front Guard	1	19	CB2125	Nylon Washer	1
7	RBM1850F	Top Guard	1	20	RBM1586F	Retaining Ring	1
8	RBM1607F	Guard Bracket	2	21	RBM1688F	Spring Arm	1
9	RBM1687F	Guard Hinge	4	22	RBM1771F	Top Guard Window	1
10	CG26C	Button Hd Scr 10-32 x 3/4	10	23	CG26A	Button Hd Scr 10-32 x 1/2	3
11	CB988	Lockwasher #10	11	24	RBM1790F	Steel/Rubber Washer	3
12	CG26	Button Hd Scr 10-32 x 3/8	6	25	RBM1849F	Roller Guard	1
13	CB278	Nut #10-32	6				



Index Number	Part Number	Part Name	Number Required	Index Number	Part Number	Part Name	Number Required
1	RBM1529F	Frame Bottom	1	13	RBM1543F	Tape Drive Shaft (also item 22 page 21)	1
2	RBM1566F	LH Side Frame	1	14	RBM1201F	Motor (also item 29 page 32)	1
3	RBM1565F	RH Side Frame	1	15	RBM1301F	Motor Mount	4
4	RBM1324F	Pan Hd Scr 10-32 x 1/2	6	16	RBM1046A	Tape Drive Pulley Assy	1
5	RBM1202F	Bumper Foot	4	17	CB59	Set Scr 1/4-20 x 1/2	2
6	RBM1252F	Rd Hd Scr 1/4-20 x 1	4	18	RBM1209F	Motor Belt	1
7	CB860C	Elastic Stop Nut 1/4-20	4	19	RBM1208F	Motor Pulley	1
8	RBM1480A	Bearing Assy	2	20	RBM1382F	Hex Hd Scr 1/4-20 x 3/8	8
9	CB487	Hex Hd Scr 1/4-20 x 3/4	4	21	RBM1657F	Collar	2
10	CB718	Washer 1/4	4	22	CB51	Screw, .250-20 x .750 Soc. Hd.	2
11	RBM1519F	Lockwasher 1/4	14				
12	CB493	Nut 1/4-20	6				

Stitch'n Fold

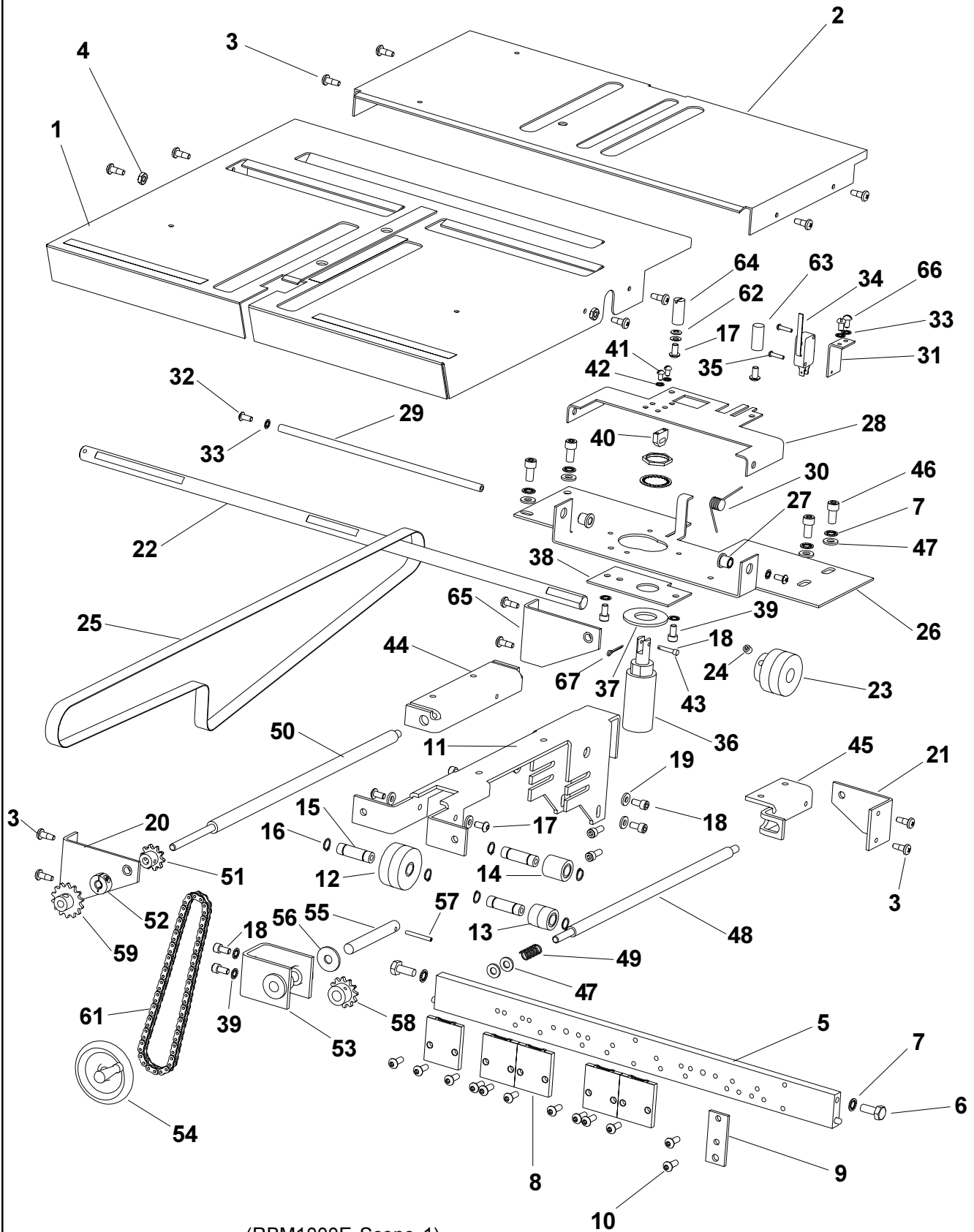
HEAD DRIVE ASSEMBLY



Index Number	Part Number	Part Name	Number Required
1	CAA2004W	EZ Thread Stitcher Head	2
2	RBM1321A	Knob Assy	2
3	CB734	Lockwasher 1/2	2
4	RBM1630F	Washer 1/2	4
5	RBM1530A	Head Support Bar Assy	1
6	CB606	Hex Hd Scr 5/15-18 x 3/4	2
7	CB895	Lockwasher 5/16	10
8	RBM1550F	Head Actuating Bar	1
9	CB325	Soc Hd Scr 1/4-20 x 1/2	2
10	RBM1564F	Head Drive Wear Strip	4
11	CB487	Hex Hd Scr 1/4-20 x 3/4	8
12	CB806	Washer	8
13	RBM1617F	Keps Nut 1/4-20	8
14	RBM1220F	RH Rod End	2
15	CB418	RH Nut 5/16-24	2
16	RBM1221F	LH Rod End	2
17	RBM1262F	LH Nut 5/16-24	2
18	RBM1037F	Head Connecting Rod	2
19	CB110A	Soc Hd Scr 5/16-18 x 1 1/4	4
20	CB718	Washer	12
21	RBM1659F	Ski Bracket	1
22	CK31	Hex Hd Scr 1/4-20 x 1/2	2
23	CA9028A	Roll Pin 1/8 x 11/16	8
24	RBM1391F	Paper Ski	4
25	CB764	Hex Hd Scr 1/4-20 x 1 1/2	1
26	CB860C	Elastic Stop Nut 1/4-20	1
27	RBM1660F	Roller Arm	2
28	RBM1361F	Plastic Screw 1/4-20 x 1 1/2	1
29	CB411	Plastic Nut 1/4-20	1
30	CB806	Washer	2
31	CB1247A	Roller	1
33	RBM1642F	Wire Spool Stud	2
34	CB314A	Soc Hd Scr 3/8-16 x 3/4	2
35	CB889	Lockwasher 3/8	2
36	CA46	Washer	2
37	415-0225	Stitching Wire (Two Spools)	1
38	CK176	Hairpin	4
39	RBM1644F	Shaft	1
40	RBM1656F	Spacer	2
41	CG26A	Button Hd Scr 10-32 x 1/2	4
42	MF337	Soc Hd Scr 10-32 X 1 1/2	2
43	CB988	Lockwasher #10	6
44	CB278	Nut 10-32	2
45	RBM1646A	Spring Lever Assy	2
46	RBM1645F	E-Ring	4
47	CK250	Spring	2

Stitch'n Fold

MAIN TABLE ASSEMBLY

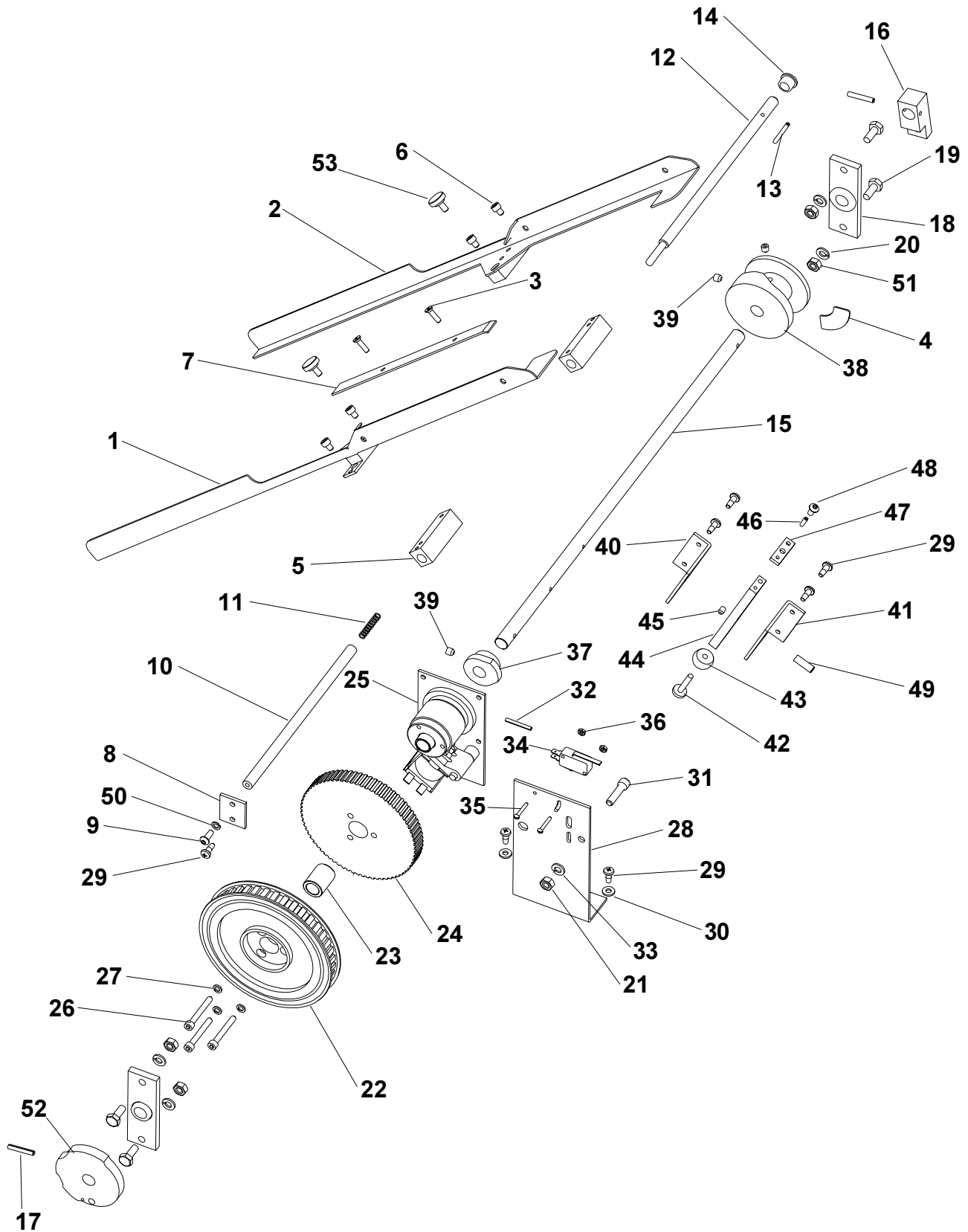


ISP Stitching & Bindery Products

Index Number	Part Number	Part Name	Number Required	Index Number	Part Number	Part Name	Number Required
1	RBM1528A	Main Table	1	34	RBM1310C	Microswitch	1
2	RBM1615F	Gate Table	1			(also item 31 page 32)	
3	RBM1324F	Pan Hd Scr 10-32 x 1/2	14	35	RBM1327F	Rd Hd Scr 4-40 x 1/2	2
4	CB278	Nut 10-32	4	36	RBM1234F	Solenoid (also item 49 page 32)	1
5	RBM1551A	Clincher Bar	1	37	CE17	Washer	1
6	CB487A	Hex Hd Scr 1/4-20 x 5/8	2	38	RBM1507F	Back Up Plate	1
7	RBM1519F	Lockwasher 1/4	6	39	CB988	Lockwasher #10	6
8	CT9086X	Clincher	5	40	RBM1272F	Solenoid Pivot Bracket	1
9	RBM1024F	RH Front Bracket	1	41	CB287	Rd Hd Scr 6-32 x 3/16	2
10	CG26A	Button Hd Scr 10-32 x 1/2	12	42	CK50	Lockwasheer #6	2
11	RBM1600F	Center Pulley Bracket	1	43	RBM1720F	Pin	1
12	RBM1627A	Center Belt Pulley Assy	1	44	RBM1750F	LH Guide Bracket	1
13	RBM1101A	Crowned Idler Assy	1	45	RBM1751F	RH Guide Block	1
14	RBM1340A	Flat Idler Assy	1	46	CB325	Soc Hd Scr 1/4-20 x 1/2	4
15	RBM1614F	Idler Shaft	3	47	CB806	Washer 1/4	6
16	CB837B	Retaining Ring 3/8	6	48	RBM1547F	Stop Carriage Rod	1
17	CG26	Button Hd Scr 10-32 x 3/8	6	49	RBM1667F	Spring	1
18	CB651F	Soc Hd Scr 10-32 x 3/8	8	50	RBM1591F	Stop Carriage Screw	1
19	CB1262	Washer #10	8	51	RBM1269F	Sprocket 10T	1
20	RBM1777A	Front LH Bracket	1	52	RBM1311F	Split Collar	1
21	RBM1548F	RH Rear Bracket	1	53	RBM1635A	Bracket Assy	1
22	RBM1543F	Tape Drive Shaft	1	54	RBM1775F	Hand Crank	1
23	RBM1096F	Table Drive Pulley	1	55	RBM1780F	Hand Crank Shaft	1
24	CB141	Set Scr 1/4-20 x 1/4	1	56	CB175	Washer 3/8	1
25	RBM1536F	Table Belt	1	57	RBM1760F	Roll Pin 18 x 1	1
26	RBM1482F	Stop Carriage	1	58	RBM1781F	Sprocket 12T	1
27	RBM1249F	Plastic Bearing	2	59	RBM1782F	Sprocket 14T	1
28	RBM1783F	Stop Platform	1		CA118	Set Scr 1/4-20 x 3/16	1
29	RBM1313F	Gate Shaft	1	61	RBM1670F	Chain - 62L	1
30	RBM1666F	Torsion Spring	1	62	CL44A	Spring Washer	2
31	RBM1506F	Switch Bracket	1	63	RBM1769F	Paper Stop	1
32	CG26N	Button Hd Scr 8-32 x 3/8	2	64	RBM1770F	Eccentric Paper Stop	1
33	CB988A	Lockwasher #8	4	65	RBM1549A	Rear LH Bracket	1
				66	CB112	Rd Hd Scr 8-32 x 5/16	2
				67	CB451	Cotter Pin	1

Stitch'n Fold

HEAD DRIVE SHAFT ASSEMBLY



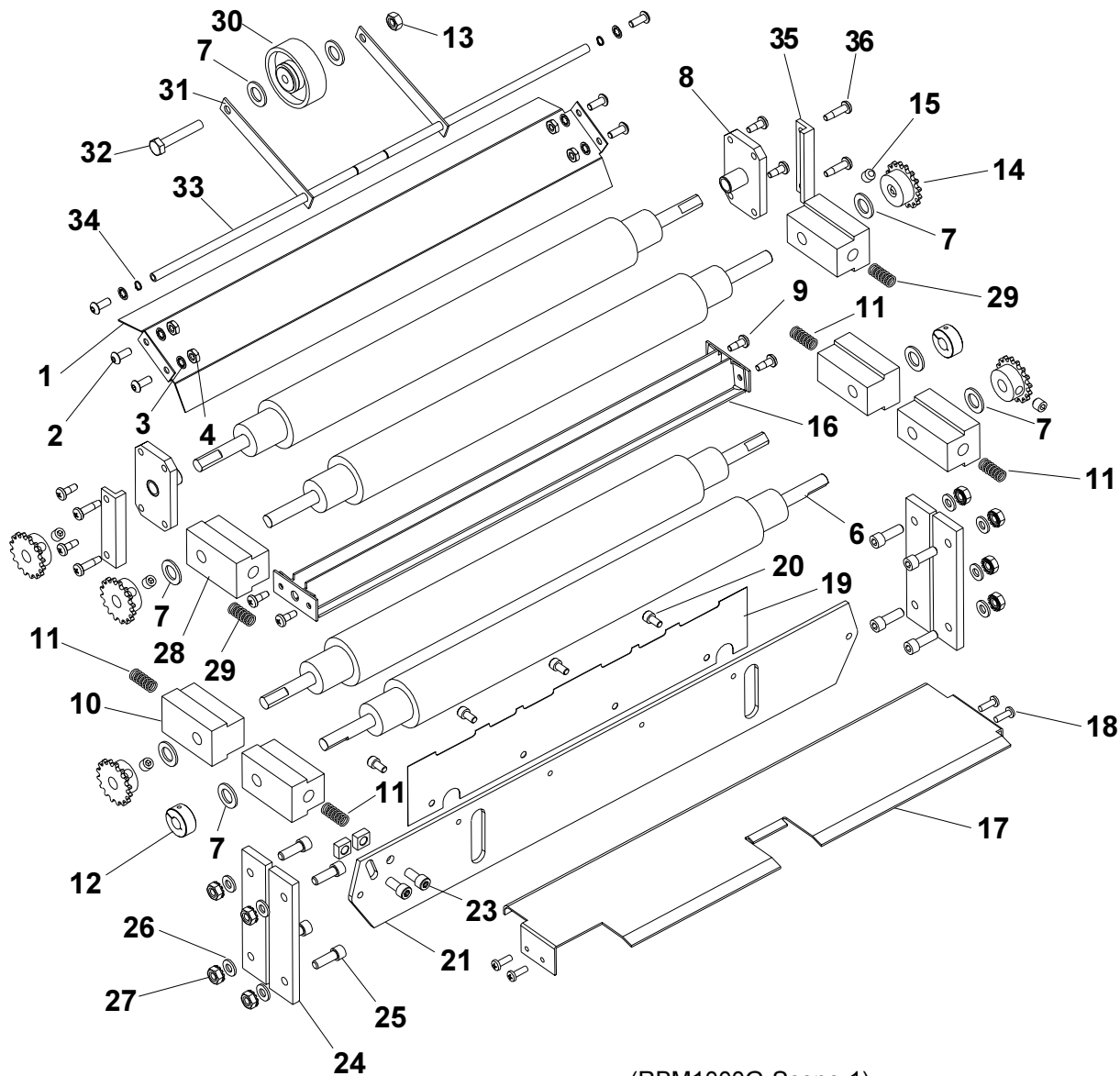
ISP Stitching & Bindery Products

Index Number	Part Number	Part Name	Number Required	Index Number	Part Number	Part Name	Number Required
1	RBM1629A	LH Side Guide	1	28	RBM1596F	Switch & Clutch Bracket	1
2	RBM1628A	RH Side Guide	1	29	RBM1324F	Pan Hd Scr 10-32 x 1/2	7
3	RBM1329F	Flat Hd Scr 8-32 x 5/8	2	30	CB1262	Washer #10	2
4	RBM1789F	Cam Shim	1	31	CB629A	Soc Hd Scr 1/4-20 x 1	1
5	RBM1623F	Side Guide Bracket	2	31*	CB314	Soc Hd Scr 3/8-16 x 1	1
6	D34080F	Soc Hd Scr 10-32 x 1/4	4	32	RBM1760F	Roll Pin 1/8 x 1	1
7	RBM1622F	Belt Bed	1	32*	RBM1797F	Roll Pin 5/32 x 1 1/4	1
8	RBM1651F	Plate	1	33	CB371A	Lockwasher 1/4	1
9	CG26A	Button Hd Scr 10-32 x 1/2	1	33*	CB889	Lockwasher 3/8	1
10	RBM1540F	Stationary Guide Shaft	1	34	RBM1225F	Microwitch (3LS) (also item 30 page 32)	1
11	RBM1229F	Spring	1	35	RBM1328F	Rd Hd Scr 4-40 x 3/4	2
12	RBM1539F	Moveable Guide Shaft	1	36	CG13	Nut 4-40	2
13	CB835G	Roll Pin	1	37	RBM1126F	Switch Cam	1
14	RBM1250F	Plastic Bearing	1	38	RBM1559F	Actuator Cam	1
15	RBM1542F	Head Drive Shaft	1	39	CB141	Set Screw 1/4-20 x 1/4	3
16	RBM1637F	Head Drive Crank	1	40	RBM1091F	LH Bracket	1
17	D37751F	Roll Pin 5/32 x 1	2	41	RBM1090F	RH Bracket	1
18	RBM1480A	Bearing Assy	2	42	RBM1086F	Roller Stud	1
19	CB487	Hex Hd Scr 1/4-20 x 3/4	4	43	RBM1085F	Roller	1
20	RBM1519F	Lockwasher 1/4	4	44	RBM1084F	Actuator Bar	1
21	CB493	Nut 1/4-20	1	45	D22872F	Set Scr 10-32 x 1/4	1
21*	CB125	Nut 3/8-16	1	46	CB835P	Roll Pin	1
22	RBM1047F	Head Drive Pulley	1	47	RBM1087F	Actuator Bar Extension	1
22*	RBM1794F	Head Drive Pulley	1	48	CG26	Button Hd Scr 10-32 x 3/8	1
23	RBM1254F	Bearing	1	49	CB1201	Dowel Pin	1
23*	RBM1796F	Bearing	1	50	CB988	Lockwasher #10	1
24	RBM1297F	Knife Drive Pulley	1	51	CB493	Nut 1/4-20	4
24*	RBM1793F	Knife Drive Pulley	1	52	RBM1638F	Cam	1
25	RBM1748F	Clutch (also item 54 page 32)	1	53	CGG44B	Thumb Scr Knob Assy	2
25*	RBM1792F	Clutch (also item 54 page 32)	1				
26	MF337	Soc Hd Scr 10-32 x 1 1/2	3				
26*	CB629C	Soc Hd Scr 1/4-20 x 1 1/2	3				
27	CB988	Lockwasher #10	3				
27*	RBM1519F	Lockwasher 1/4	3				

* Parts marked with asterisk are for machines equipped with Hi-Torque Clutch for Loop Stitch Heads or four head applications.

Stitch'n Fold

ROLLERS & KNIFE ASSEMBLY

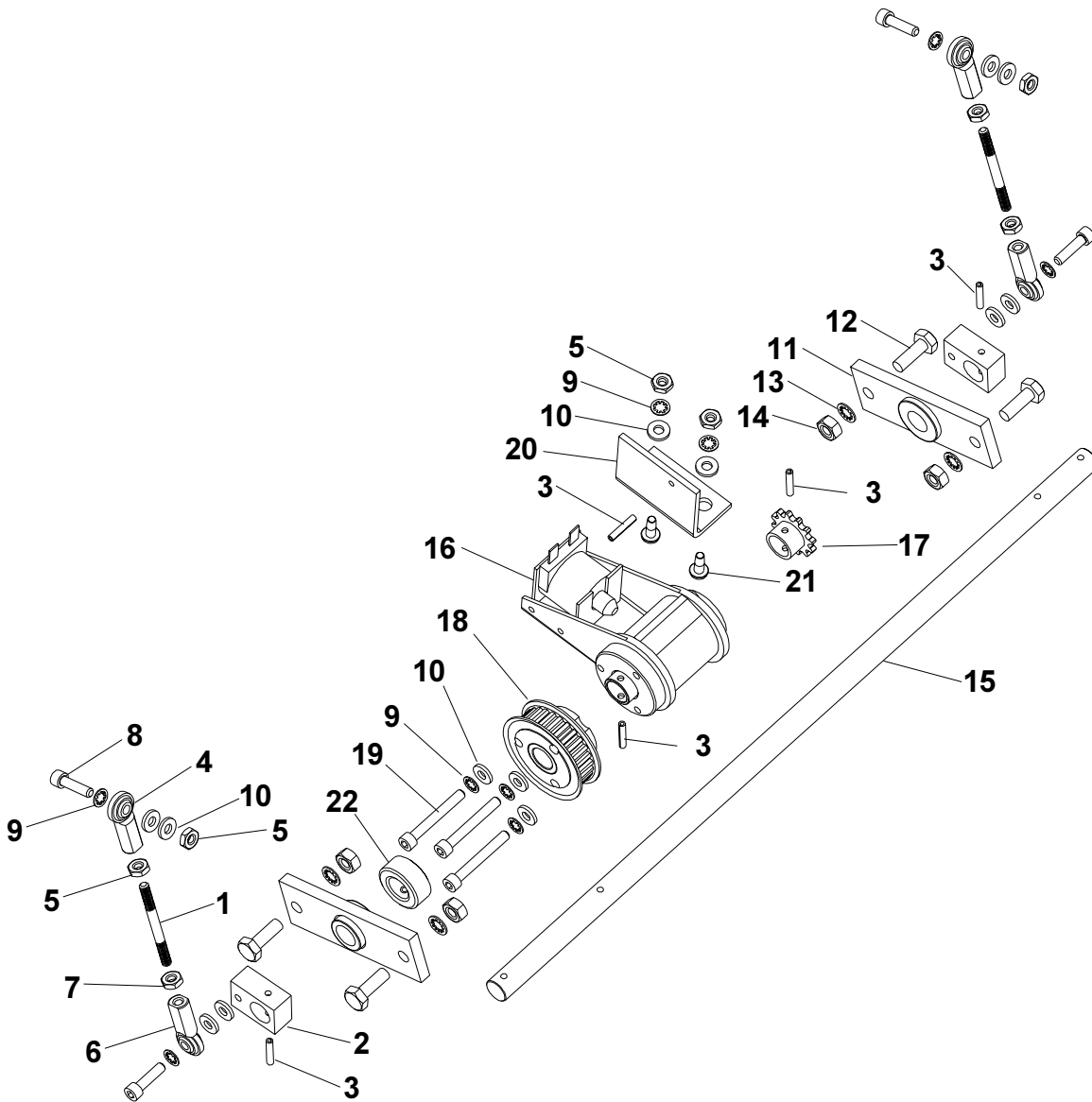


(RBM1000G Scene 1)

Index Number	Part Number	Part Name	Number Required	Index Number	Part Number	Part Name	Number Required
1	RBM1535F	Book Deflector	1	19	RBM1621F	Folding Knife	1
2	CG26A	Button Hd Scr 10-32 x 1/2	4	20	CB651F	Soc Hd Scr 10-32 x 3/8	4
3	CB278	Nut 10-32	4	21	RBM1534F	Knife Support	1
4	CB988	Lockwasher #10	4	22	RBM1616F	Square Nut 1/4-20	2
5	-----	-----	--	23	CB325	Soc Hd Scr 1/4-20 x 1/2	2
6	RBM1553A	Lower Folding Roll Assy	4	24	RBM1564F	Head Drive Wear Strip	4
7	CB2125	Nylon Washer 7/16 (3/4 O.D.)	8	25	CB487	Hex Hd Scr 1/4-20 x 3/4	8
8	RBM1613A	Bearing Block Assy	2	26	CB806	Washer	8
9	RBM1324F	Pan Hd Scr 10-32 x 1/2	8	27	RBM1617F	Keps Nut 1/4-20	8
10	RBM1589F	Bearing Housing	4	28	RBM1800F	Bearing Housing	2
11	RBM1667F	Folding Roll Spring	4	29	RBM1801F	Folding Roll Spring	2
12	RBM1312F	Split Collar	2	30	CB1247A	Roller Wheel	1
13	CB493	Nut, .250-20 Hex.	1	31	RBM1660F	Roller Arm	2
14	RBM1216F	Folding Sprocket (also item 36 page 26)	5	32	RBM1361F	Screw, .250-20 x 1.5 PVC Hex.	1
15	RBM1399F	Set Screw 5/16-18 x 5/16	5	33	RBM1851F	Shaft	1
16	RBM1568A	Book Guide Assy	1	34	CB837C	Retaining Ring, ø.25 Ext.	2
17	RBM1533F	Spacer Table	1	*35	RBM1876F	Spacer, Roller	2
18	RBM1323F	Pan Hd Scr 8-32 x 1/2	4	*36	RBM1334F	Pan Hd Scr 10-32 x 3/4	4

*Used on BookletMakers Serial # 2350 and up

KNIFE SHAFT ASSEMBLY

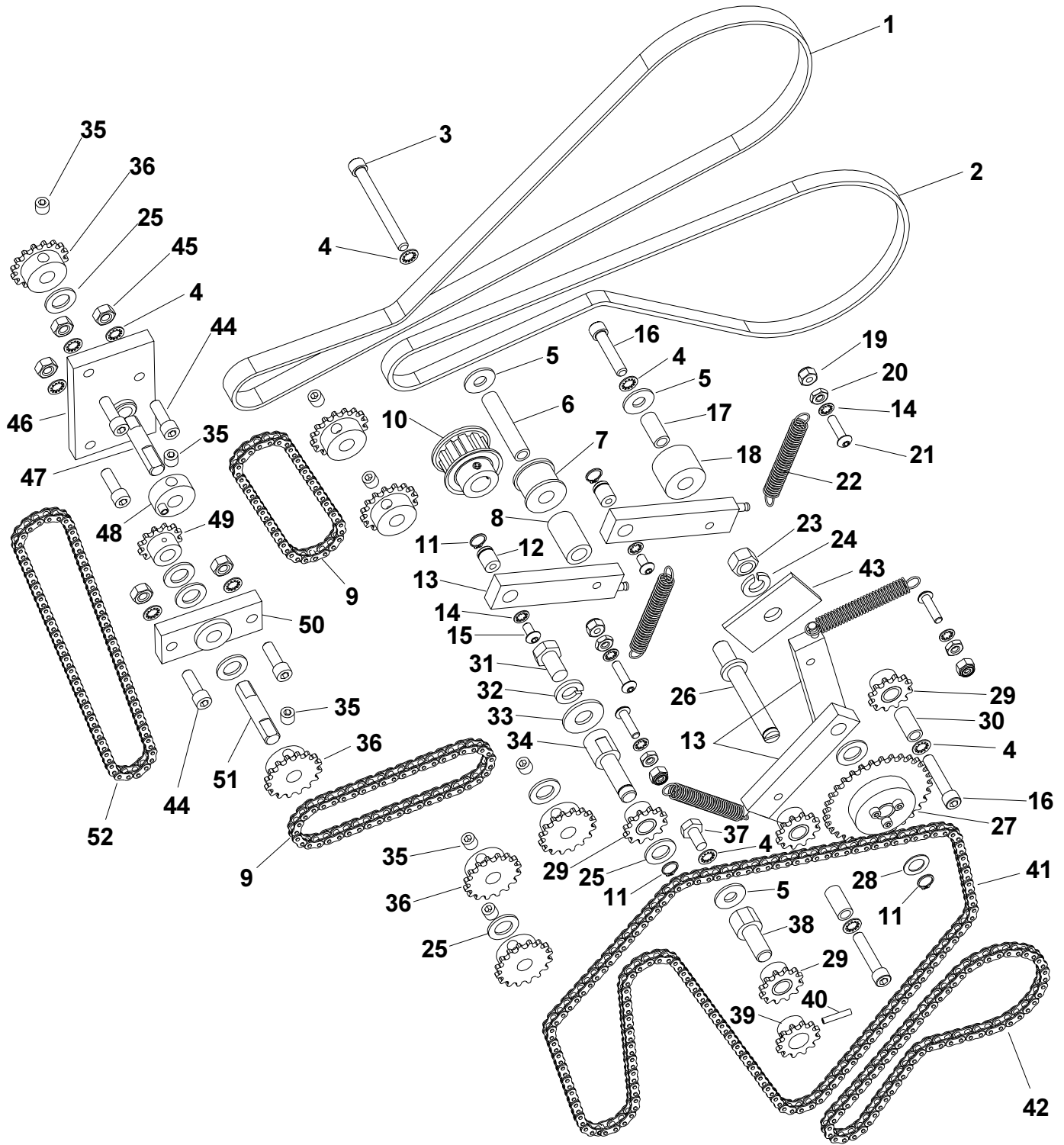


(RBM1000H Scene 1)

Index Number	Part Number	Part Name	Number Required	Index Number	Part Number	Part Name	Number Required
1	RBM1036F	Knife Connection Rod	2	12	CB487	Hex Hd Scr 1/4-20 x 3/4	4
2	RBM1040F	Knife Drive Crank	2	13	RBM1519F	Lockwasher 1/4	4
3	CA9028A	Roll Pin 1/8 x 11/16	5	14	CB493	Nut 1/4-20	4
4	RBM1222F	RH Rod End	2	15	RBM1541F	Knife Drive Shaft	1
5	CB278	RH Nut 10-32	6	16	RBM1227F	Clutch (also item 52 page 32)	1
6	RBM1223F	LH Rod End	2	17	RBM1217F	Sprocket-12T	1
7	RBM1263F	LH Nut 10-32	2	18	RBM1206A	Pulley Assy	1
8	CB651B	Soc Hd Scr 10-32 x 3/4	4	19	CB651D	Soc Hd Scr 10-32 x 1 1/4	3
9	CB988	Lockwasher #10	9	20	RBM1597F	Knife Clutch Bracket	1
10	CB1262	Washer #10	13	21	RBM1324F	Pan Hd Scr 10-32 x 1/2	2
11	RBM1480A	Bearing Assy	2	22	RBM1657F	Collar	1

Stitch'n Fold

BELTS & CHAINS ASSEMBLY

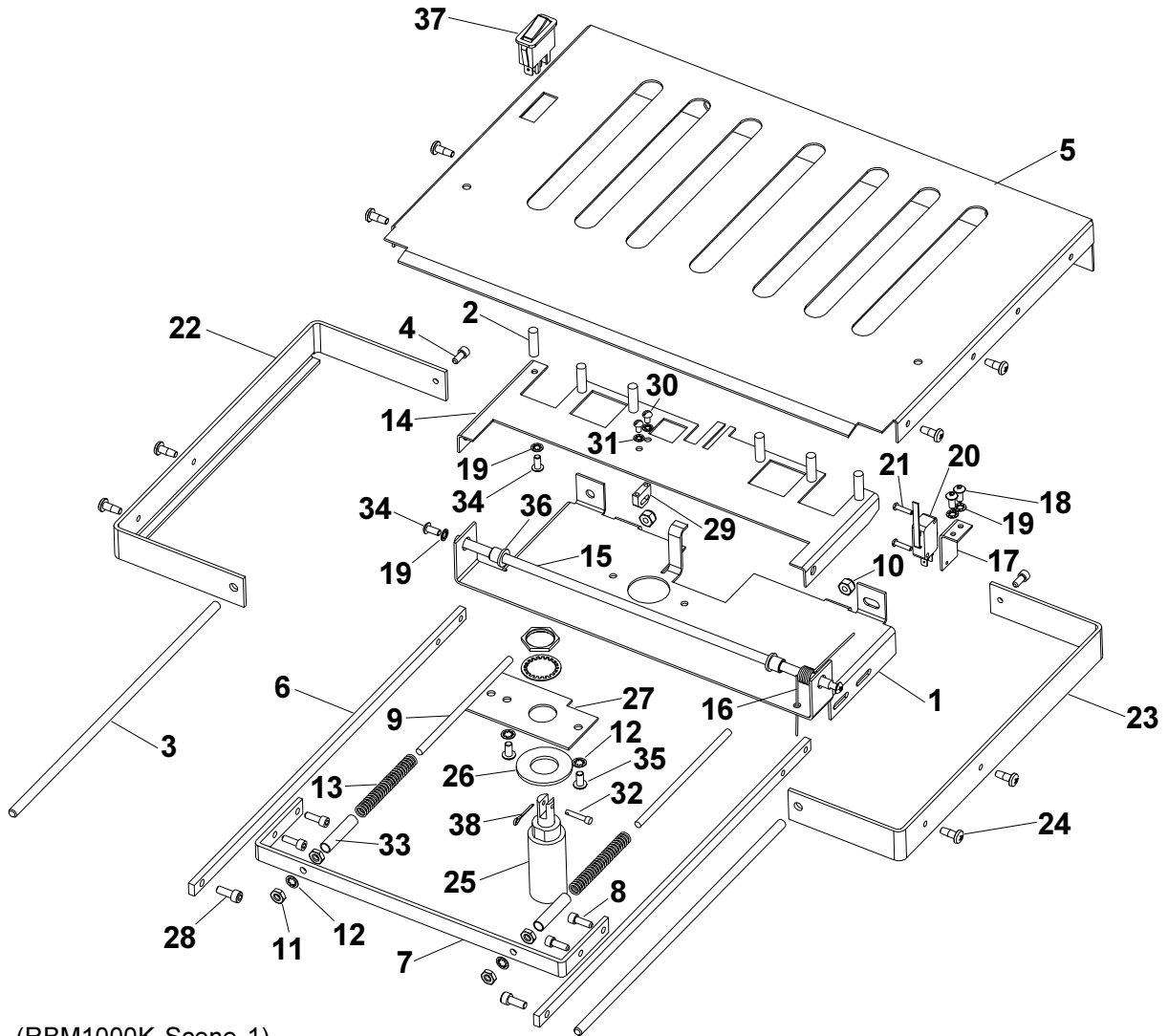


(RBM1000J Scene 1)

Index Number	Part Number	Part Name	Number Required
1	RBM1211F	Timing Belt 3/8" Wide	1
2	RBM1210F	Timing Belt 1/2" Wide	1
3	D44958F	Soc Hd Scr 1/4-20 x 2 1/2	1
4	RBM1519F	Lockwasher 1/4	10
5	CB718	Washer	3
6	RBM1294F	Knife Idler Shaft	1
7	RBM1291F	Idler Roll	1
8	RBM1295F	Idler Spacer	1
9	RBM1673F	Chain - 44L	2
10	RBM1207F	Reducer Pulley 10 Teeth	1
11	CB837B	Retaining Ring 3/8	4
12	RBM1045F	Idler Bracket Stud	2
13	RBM1044A	Idler Bracket Assy	4
14	CB988	Lockwasher #10	6
15	CG26	Button Hd Scr 10-32 x 3/8	2
16	CB629B	Soc Hd Scr 1/4-20 x 1 1/4	3
17	RBM1293F	Stitcher Idler Shaft	1
18	RBM1360F	Idler Roll	1
19	CB860B	Elastic Stop Nut 10-32	4
20	CB278	Nut 10-32	4
21	CG26C	Button Hd Scr 10-32 x 3/4	4
22	RBM1231F	Idler Spring	4
23	D30541F	Nut 3/8-16	1
24	CB889	Lockwasher 3/8	1
25	CB2125	Nylon Washer 7/16 (3/4 O.D.)	8
26	RBM1288F	Sprocket Stud	1
27	RBM1286A	Dual Sprocket Assy	1
28	CT32	Washer	1
29	RBM1218A	Idler Sprocket Assy	4
30	RBM1289F	Idler Stud	2
31	CB328	Hex Hd Scr 3/8-16 x 5/8	1
32	CB889	Washer 3/8	1
33	CB179	Lockwasher	1
34	RBM1662F	Idler Shaft	1
35	RBM1399F	Set Screw 5/16-18 x 5/16	8
36	RBM1216F	Folding Sprocket	7
37	CK31	Hex Hd Scr 1/4-20 x 1/2	1
38	RBM1633F	Idler Shaft (mount on bearing)	1
39	RBM1217F	Drive Sprocket	1
40	CA9028A	Roll Pin 1/8 x 11/16	1
41	RBM1674F	Chain - 156L	1
42	RBM1670F	Chain - 62L	1
43	RBM1807F	Stud Backup Plate	1
44	CB51	Screw, .250-20 x .75 Soc. Hd.	5
45	CB493	Nut, .250 -20 Hex.	5
46	RBM1822A	Bearing Block Assy.	1
47	RBM1824F	Index Shaft	1
48	RBM1826A	Index Collar Assy.	1
49	RBM1781F	Sprocket-12T	1
50	RBM1812A	Bearing Block Assy.	1
51	RBM1848F	Idler Shaft	1
52	RBM1874F	Chain-88L	1

Stitch'n Fold

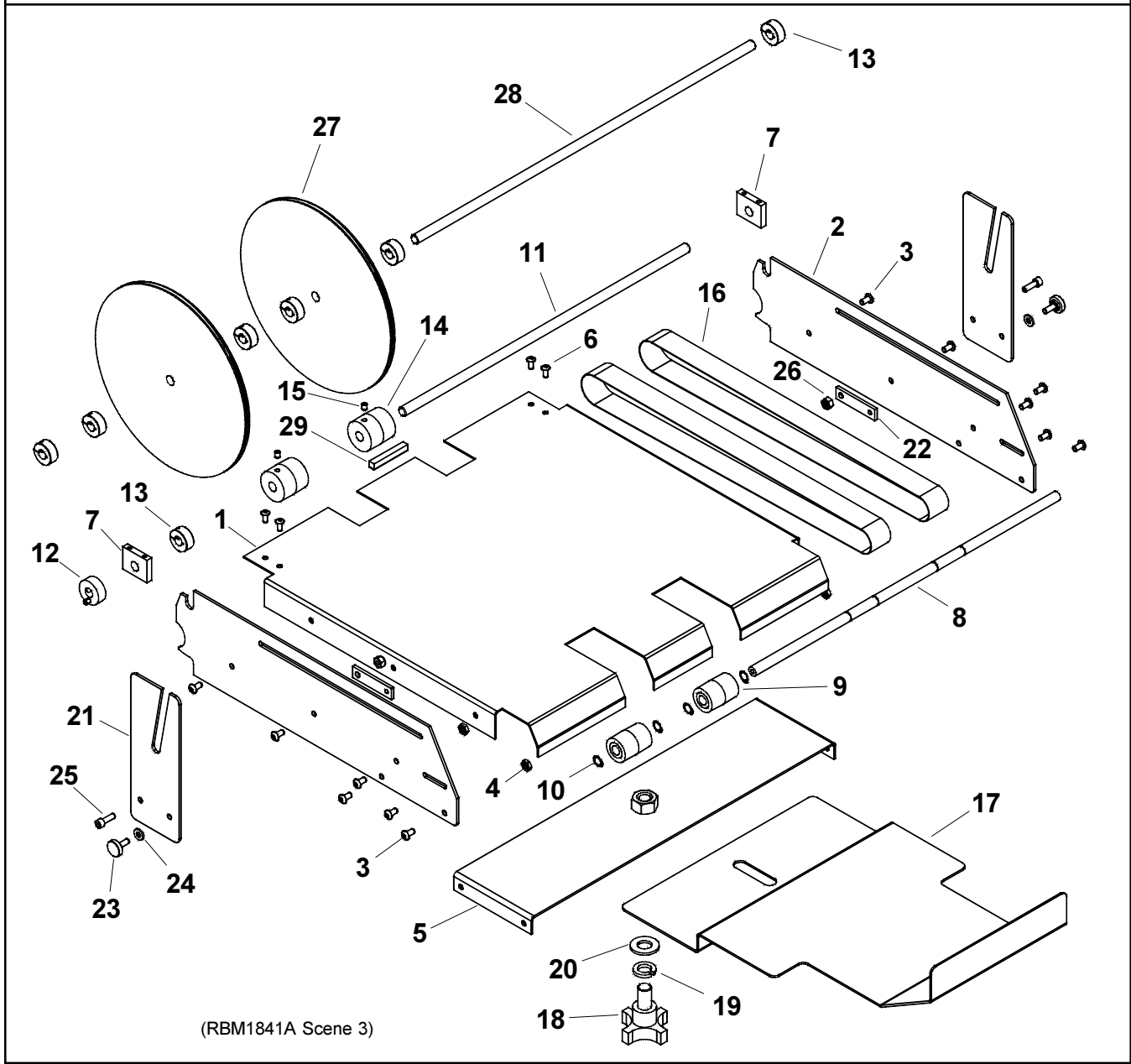
SECONDARY TABLE ASSEMBLY



(RBM1000K Scene 1)

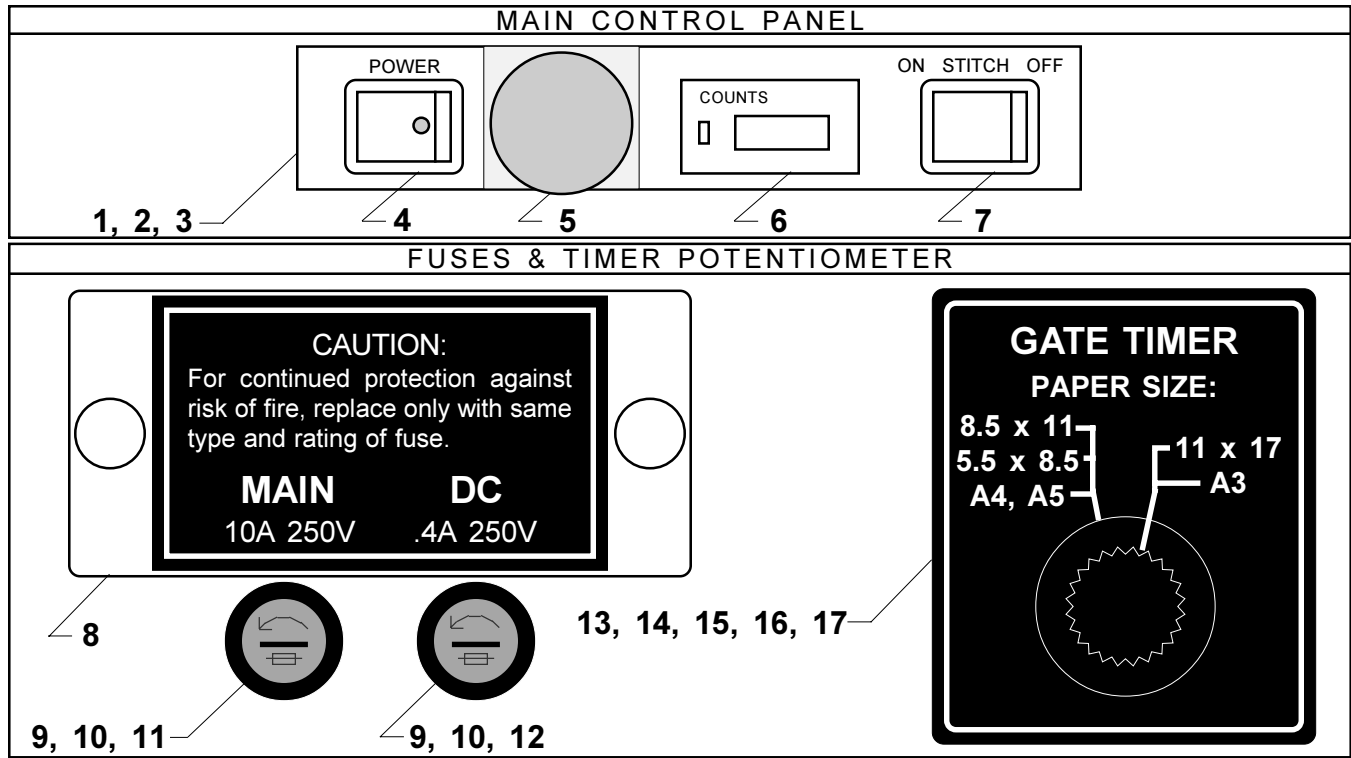
Index Number	Part Number	Part Name	Number Required	Index Number	Part Number	Part Name	Number Required
1	RBM1784F	Stop Carriage	1	21	RBM1327F	Rd Hd Scr 4-40 x 1/2	2
2	RBM1767	Paper Stop	6	22	RBM1560F	U-Bracket LH	1
3	RBM1588F	Guide Rod	2	23	RBM1561F	U-Bracket RH	1
4	D30676F	Soc Hd Cap Scr 8-32 x 3/8	2	24	RBM1324F	Pan Hd Scr 10-32 x 1/2	8
5	RBM1786F	Secondary Table	1	25	RBM1567F	Solenoid (also page 30)	1
6	RBM1556F	Adjusting Bar	2	26	CE17	Washer	1
7	RBM1664F	Stud Bracket	1	27	RBM1507F	Back Up Plate	1
8	RBM1765F	Soc Hd Cap Scr 8-32 x 3/4	4	28	CB651F	Soc Hd Cap Scr 10-32 x 3/8	2
9	RBM1665F	Adjusting Stud	2	(screws connect item 6 to items 44 & 45 page 20)			
10	CB860B	Elastic Lock Nut 10-32	2	29	RBM1272F	Solenoid Pivot Bracket	1
11	CB278	Nut 10-32	4	30	CB287	Rd Hd Scr 6-32 x 3/16	2
12	CB988	Lockwasher #10	4	31	CK50	Lockwasher #6	2
13	RBM1305F	Spring	2	32	CA9028A	Roll Pin 1/8 x 11/16	1
14	RBM1766F	Stop Platform	1	33	RBM1685F	Spacer	2
15	RBM1785F	Gate Shaft	1	34	CG26N	Button Hd Scr 8-32 x 3/8	8
16	RBM1518F	Torsion Spring	1	35	CG26	Button Hd Scr 10-32 x 3/8	2
17	RBM1506F	Switch Bracket	1	36	RBM1249F	Plastic Bearing	2
18	CB112	Round Hd Scr 8-32 x 5/16	2	37	CB285R2	Fold On/Off Sw	1
19	CB988A	Lockwasher #8	8	(also item 54 page 32)			
20	RBM1310C	Microswitch	1	38	CB451	Cotter Pin	1
		(also item 31 page 32)					

DELIVERY TABLE ASSEMBLY



Index Number	Part Number	Part Name	Number Required	Index Number	Part Number	Part Name	Number Required
1	RBM1841F	Conveyor Table	1	16	RBM1846F	Conveyor Belt	2
2	RBM1838F	Conveyor Bracket	2	17	RBM1840F	Delivery Tray	1
3	CG26	Screw, 10-32 x .75 Button Hd.	12	18	RBM1438A	Stud Assy.	1
4	CB278	Nut, 10-32 Hex.	10	19	CB734	Lockwasher, ø.500	1
5	RBM1839A	Delivery Tray Bracket	1	20	RBM1630F	Washer	1
6	CG26N	Screw, 8-32 x .75 Button Hd.	4	21	RBM1842F	Conveyor Wheel Bracket	2
7	RBM1821F	Bearing	2	22	RBM1828F	Nut Bar	2
8	RBM1572F	Idler Shaft	1	23	CGG44C	Thumb Screw Assy.	2
9	RBM1073A	Pulley Assy.	2	24	CB1262	Washer	2
10	CB837B	Retaining Ring, ø.375	4	25	CB154	Screw, 10-32 x .625 Soc. Hd.	2
11	RBM1827F	Conveyor Drive Shaft	1	26	CB860B	Nut, 10-32 Elastic Stop	2
12	RBM1826A	Index Collar Assy.	1	27	RBM1835A	Conveyor Wheel Assy.	2
13	RBM1312F	Split Collar	7	28	RBM1837F	Conveyor Wheel Shaft	1
14	RBM1072F	Pulley	2	29	RBM1888A	Stop Block Assy.	1
15	D22872F	Screw, 10-31 x .25 Set	2				

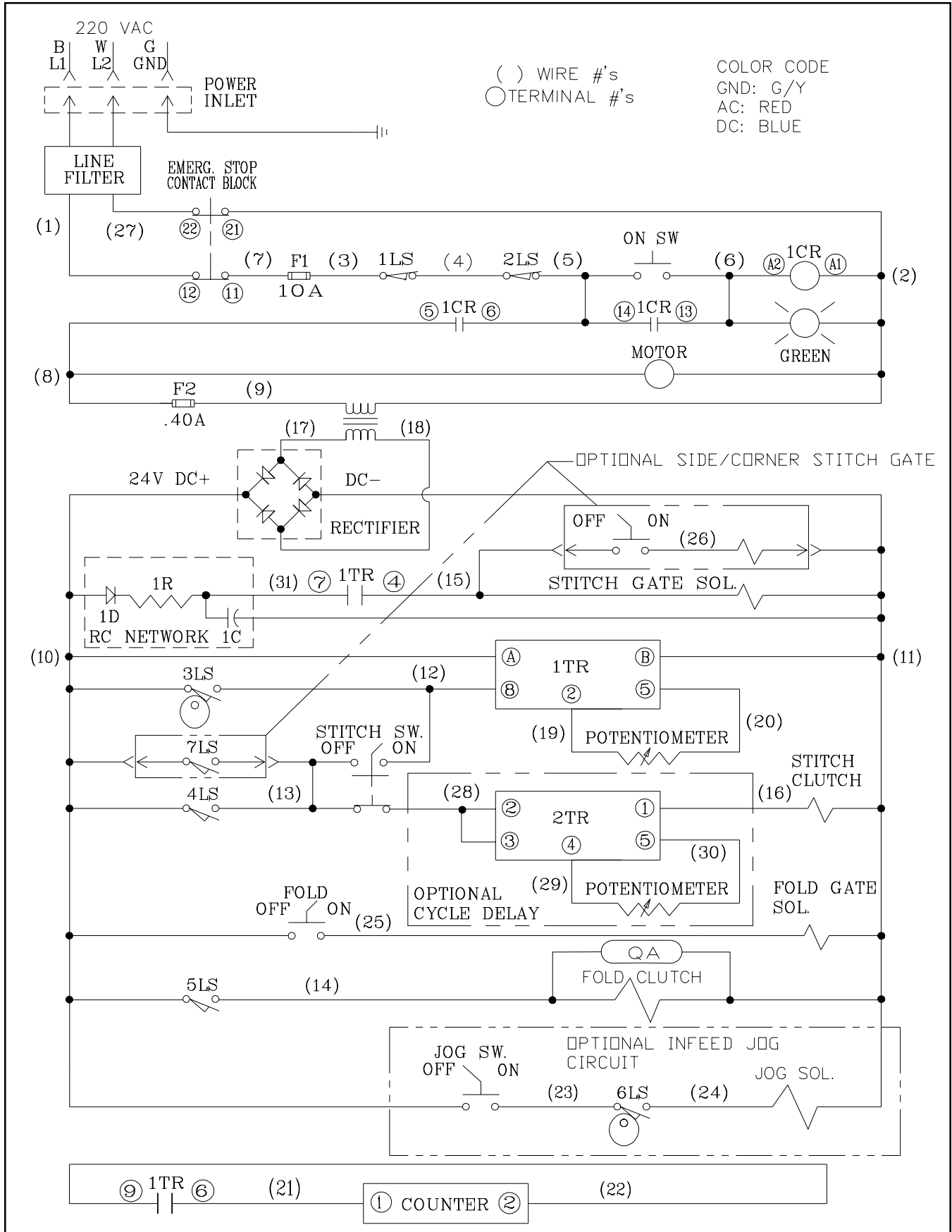
Stitch'n Fold



Index Number	Part Number	Part Name	Number Required	Index Number	Part Number	Part Name	Number Required
1	RBM1712F	Main Control Panel Decal	1	35*	RBM1428F	Rubber Grommet	6
2	RBM1713F	Bracket	1	36*	RBM1640F	Relay Bracket	1
3	RBM1324F	Pan Hd Scr 10-32 x 1/2	2	37*	RBM1324F	Pan Hd Scr 10-32 x 1/2	2
4	RBM1714F	Green Illum. Momentary Switch	1	38*	RBM1355F	Power Relay (1CR)	1
5	CG136	Red Rocker Switch (non-CE)	1	39*	CB287E	Rd Hd Scr 6-32 x 1/2	4
	RBM1491F	Emergency Stop (CE only)	1	40*	CB720	Nut 6-32	4
	RBM1492F	Contact Block (CE only)	1	41*	RBM1416F	Timer - Single Shot	1
6	RBM1445F	Counter	1	42*	RBM1817F	Cable Tie	1
7	CG138	Black Selector Switch	1	43*	RBM1417F	Timer Socket	1
8	RBM1726A	Fuse Holder Decal	1	44*	D32127F	Rd Hd Scr 6-32 x 3/4	2
	RBM1324F	Pan Hd Scr 10-32 x 1/2	2	45*	CB720	Nut	2
9	RBM1619F	Fuse Holder Body	2	46*	RBM1501A	Transformer	1
10	RBM1618F	Fuse Holder Carrier	2	47*	RBM1323F	Pan Hd Scr 8-32 x 1/2	2
11	RBM1352F	Main Fuse 10A	1	48*	RBM1298F	Rectifier	1
12	RBM1350F	DC Fuse .4A	1	49*	RBM1324F	Pan Hd Scr 10-32 x 1/2	1
13	RBM1418F	Timer Potentiometer	1	50*	RBM1234F	Stitch Gate Solenoid	1
14	RBM1611F	Potentiometer Bracket	1	51*	RBM1567F	Fold Solenoid	1
15	RBM1324F	Pan Hd Scr 10-32 x 1/2	2	52*	RBM1227F	Clutch (Fold)	1
16	RBM1419F	Potentiometer Knob	1	53*	RBM1443F	Quencharc (QA)	1
17	RBM1695F	Gate Timer Decal	1	54*	CB285R2	Fold On/Off Switch	1
18*	RBM1354F	Power Cord	1	55*	RBM1748F	Clutch (Stitch) (Standard)	1
19*	RBM1668F	Power Cord Bracket	1		RBM1792F	Clutch (Stitch) (Hi-Torque)	1
20*	RBM1323F	Pan Hd Scr 8-32 x 1/2	2	56*	RBM1880A	Wiring Harness	1
21*	RBM1495F	Power Inlet	1	57*	RBM1742F	Cap (corner/side stitch socket)	1
22*	CB808	Flat Hd Scr 5-40 x 3/8	2	58*	RBM1747F	Socket (for RBM1742F)	4
23*	D27398F	Elastic Stop Nut	2	59*	RBM1347F	Motor (220V, 50Hz)	1
24*	RBM1240F	Terminal Block	1		RBM1811F	Motor (230V, 60Hz)	1
25*	D32127F	Rd Hd Scr 6-32 x 3/4	4	60*	CG15B	Microswitch (6LS)	1
26*	CB720	Nut 6-32	4	61*	RBM1371F	Solenoid, Jog & Side Stitch	2
27*	CB1070B	Green Ground Screw	1	62*	RBM1746F	Microswitch (7LS)	1
28*	RBM1711F	Ground Label	1	63*	RBM1875F	Time Delay Module (2TR)	1
29*	RBM1494F	Line Filter (CE only)	1	64*	RBM1496F	Capacitor	1
30*	RBM1225F	Microswitch (3LS)	1	65*	RBM1877F	Resistor	1
31*	RBM1310F	Microswitch (4LS, 5LS)	2	66*	RBM1878F	Rectifier	1
32*	RBM1277F	Interlock Switch (1LS, 2LS)	2	67*	RBM1879F	Terminal Block	1
33*	RBM1328F	Rd Hd Scr 4-40 x 3/4	4	68*	RBM1338F	Cable Tie	1
34*	CG13	Nut 4-40	4	69*	RBM1882F	Cable Tie Holder	1

* Not shown; see Schematic.

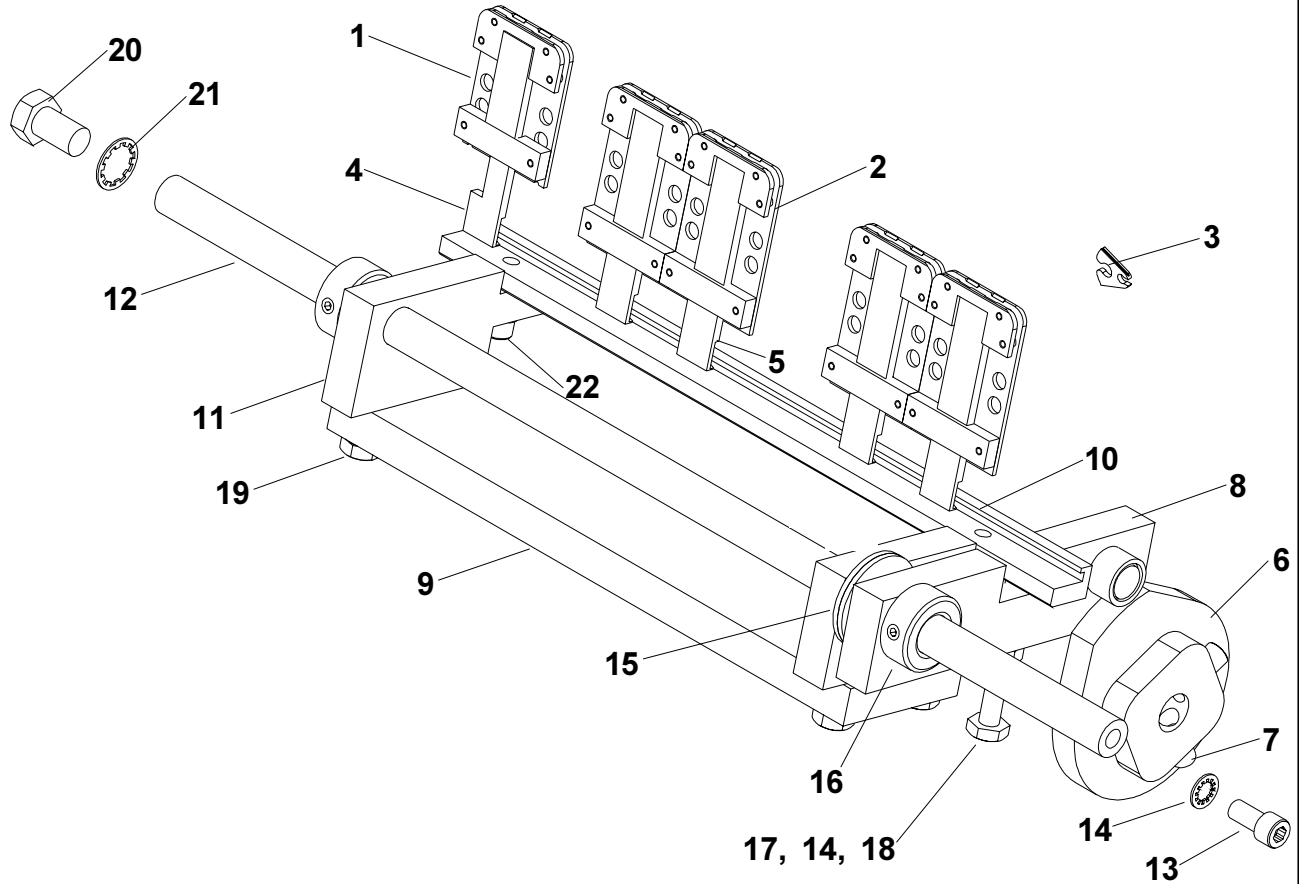
220V ELECTRICAL SCHEMATIC



(SK881A)

Stitch'n Fold

ACTIVATED CLINCH (OPTIONAL)



(RBM1000M Scene 1)

Index Number	Part Number	Part Name	Number Required	Index Number	Part Number	Part Name	Number Required
1	RBM1453F	Short Clincher Assy	1	12	RBM1639F	Shaft	1
2	RBM1457F	Clincher Assy	4	13	CB325	Soc Hd Scr 1/4-20 x .500	1
3	CA9083A	Clincher Point (inside Assy's)	10	14	RBM1519F	Lockwasher 1/4	2
4	RBM1460F	Short Clincher Slide	1	15	CB198	Washer 1/2 x 1 1/4	2
5	RBM1461F	Clincher Slide	4	16	RBM1657F	Split Collar	2
6	RBM1521F	Clincher Cam	1	17	RBM1795F	Hex Hd Scr 1/4-20 x 2	1
7	CB155	Set Scr 5/16-18 x .500	2	18	CB493	Nut 1/4-20	1
8	RBM1703A	Cam Arm Assy	1	19	CB487	Hex Hd Scr 1/4-20 x 3/4	4
9	RBM1756F	Cross Bar	1	20	CB328	Hex Hd Scr 3/8-16 x 5/8	1
10	RBM1458F	Slider Base	1	21	RBM1520F	Lockwasher 3/8	1
11	RBM1463F	Clincher Arm	2	22	CB77A	Soc Hd Scr 1/4-20 x .750	2

NOTES

ISP Stitching & Bindery Products

6635 W. Irving Pk Rd , Chicago IL 60634
Phone: 800-634-0810 773-777-6500
Fax: 800-417-9251 773-777-0156
www.ispstitching.com